

FIREPLACE INSERTS



ECO iLINE

M o d e r n e l e m e n t s



- Two-jacket fireplace inserts for continuous burning, made of high quality materials
- Wide heating power range, adjusted for buildings of various sizes
- Equipped in a modern double combustion system, which guarantees higher heating efficiency
- Meet EN 13229 norm and are marked with the European CE safety mark
- Convenient controlling
- Wide range of inserts with straight windows and corner versions offer unlimited possibilities of fireplace designing
- Universal design of inserts, suitable for modern as well as traditional interiors
- Maximal view on fire thanks to larger window area in proportion to front dimensions

Fireplace inserts KFD ECO iLINE



ECO iLINE 5161

🔥 rated power	12 kW
📏 heated capacity	200-375 m³
📊 efficiency	78%
📏 front height	510 mm
↔️ front width	610 mm

ECO iLINE 5172

🔥 rated power	13 kW
📏 heated capacity	230-415 m³
📊 efficiency	79%
📏 front height	510 mm
↔️ front width	720 mm

ECO iLINE 5172 EX

🔥 rated power	12,8 kW (incl. water heat exchanger 4,6 kW)
📏 heated capacity	230-415 m³
📊 efficiency	80%
📏 front height	510 mm
↔️ front width	720 mm

insert with water exchanger
(for central heating and hot service water)

Fireplace equipped with insert **KFD ECO iLINE 5161**





- **Modern.** ECO iLINE fireplace insert have all features of modern heating equipment. They are suitable for heating houses of various sizes thanks to a wide range of heating power from 8,5 kW to 14,5 kW (depending on the model). They are an ideal solution for heating aims for dwelling as well as holiday houses.
- **Efficient and ecological.** Wood combustion in ECO iLINE inserts is uniquely efficient. A modern double combustion system provides a higher heating efficiency, thanks to which, they are efficient and ecological heating devices.
- **Economical.** ECO iLINE 5172 EX insert is equipped also with a water exchanger (an equivalent of a water jacket) and a cooling coil. Due to that, this insert is suitable for providing heat for a central heating system and hot service water, working in a closed system, as well as by a hot air distribution system.
- **Safe and durable.** Solid, double-jacket construction of ECO iLINE inserts (steel body and chamotte furnace lining) guarantees its safe operation, even at continuous work. Materials, of which ECO iLINE inserts are produced, provide failure-free work for many years.
- **Universal design.** ECO iLINE inserts were designed according to rules of modern designing – door frame provides a wide view of furnace and beautiful view on fire. Subtle lines, no unnecessary ornaments. Simple design enables use in modern as well as stylised fireplaces.

ECO iLINE 5183

🔥 rated power	14,5 kW
📏 heated capacity	250-450 m³
% efficiency	80%
📏 front height	510 mm
↔️ front width	830 mm



Fireplace equipped with insert **KFD ECO iLINE 5181**



Corner fireplace inserts KFD ECO iLINE



ECO iLINE 5161 L

🔥 rated power	8,5 kW
📐 heated capacity	150-280 m³
% efficiency	78%
📏 front height	511 mm
↔️ front width	611 mm

ECO iLINE 5161 R

🔥 rated power	8,5 kW
📐 heated capacity	150-280 m³
% efficiency	78%
📏 front height	511 mm
↔️ front width	611 mm

ECO iLINE 5172 L

🔥 rated power	11 kW
📐 heated capacity	183-345 m³
% efficiency	78%
📏 front height	511 mm
↔️ front width	721 mm

Fireplace equipped with insert **KFD ECO iLINE 5161 R**





■ **More 3D fire.** Modern corner fireplace ECO iLINE inserts are an ideal solution for people who want to have a 3D view on fire. Thanks to this, fire can be observed from various parts of a room, creating a unique light show. Attractive frame adds more charm to such beautiful image of fire. Simple lines, no unnecessary ornaments. Available models with window at left or right side.

■ **Efficient and ecological.** Wood combustion in ECO iLINE inserts is uniquely efficient. A modern afterburning system provides a higher heating efficiency, thanks to which, they are efficient and ecological heating devices.

■ **Safe and durable.** Solid, double-jacket construction of ECO iLINE inserts (steel body and chamotte furnace lining) guarantees its safe operation, even at continuous work. Materials, of which ECO iLINE inserts are produced, provide failure-free work for many years. All of that makes that ECO iLINE inserts are ideal for people who want to combine good design and the highest quality.

■ **Convenient operation.** Easily accessible air inlet regulators and a chimney damper guarantee a simple and precise operation of ECO iLINE fireplace inserts.

ECO iLINE 5172 R

🔥 rated power	11 kW
📏 m ³ heated capacity	183-345 m³
% efficiency	78%
⬇️ front height	511 mm
↔️ front width	721 mm



Fireplace equipped with insert **KFD ECO iLINE 5172 L**



KFD ECO iLINE fireplace inserts for continuous burning – features and modern solutions

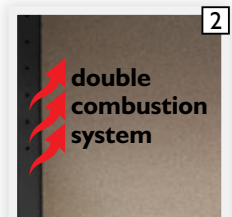
When developing the range of double-jacket KFD ECO iLINE fireplace inserts, we used the best available materials, most modern solutions and most advanced technologies of the fireplace branch. Thanks to a proper combination of all details, we created the line of fireplace inserts, valued by specialists and meeting the highest expectations of users. This makes us unique among the competition.



1

SAFETY

Double-jacket construction of ECO iLINE inserts is composed of a steel insert body and internal chamotte elements. All parts inside the furnace that undergo wearing are easily accessible and their exchange is very simple. Such construction guarantees reliability and operation safety, even at continuous burning. ECO iLINE fireplace inserts meet the EN 13229 norm and are CE marked.



2

HEAT AND ECOLOGY

All models of ECO iLINE inserts are equipped with a modern double combustion system. Additional air for combustion gets to the furnace through openings in special air channels, located at furnace corners. Air supplied through these channels is pre-heated. Elements, which in normal inserts would escape to a chimney, are afterburnt here. Thanks to this, heating parameters of ECO iLINE inserts are better and combustion is more ecological.



3

CHIMNEY DAMPER*

ECO iLINE inserts are equipped with a chimney damper as a standard. It enables a precise regulation of draught in a chimney. In order to make operation more convenient, inserts have a door lock as not to be opened when a damper is closed. During maintenance operations, a damper can be easily disassembled from the inside of the insert.

* Does not apply to ECO iLINE 5172 EX.



4

MAXIMAL VIEW OF THE FIRE

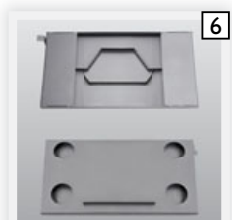
Attractive and almost not distinct door frame makes that one can see the most important thing – the fire. Large windowed area in proportion to front surface makes that fire is better visible. Ideal fire image is possible thanks to combination of pyrolysis effect and proper air circulation inside the furnace.



5

DIRECT AIR INLET TO THE FURNACE

ECO iLINE inserts are equipped in a system of direct air supply from outside to the furnace – it is especially essential solution in case of modern, low energy buildings. Regulation of air inlet from outside and regulation of combustion speed (insert power) is done using only one regulator.



6

HIGHER HEATING EFFICIENCY

The special deflector construction forces a longer circulation of combustion gas in the insert. Thanks to this, the insert efficiency is higher (larger amount of heat from the same amount of burnt wood) and combustion is more ecological. The deflector is made of acid resistant steel.



7

DURABILITY

Implementation of a special gasket around the door, which is made of glass fibre and strengthened by a steel plait, substantially improves inserts' tightness. These gaskets are more durable than standard ones, which are commonly used in the fireplace branch.

PRECISE CONTROL

Smooth regulation of air inlet enables the control over intensity and speed of combustion.



8

RELIABILITY

The external body of ECO iLINE inserts is made of steel and additionally is strengthened by overpresses.



9

PRECISE LOCK

Door is blocked by a precise lock with a convenient handle. Hinges enable a precise regulation of door opening.



10

UNIVERSAL FRAME

Steel, powder painted frame, located around the door, is black as standard. At individual order, it can be painted in any colour from the RAL palette.



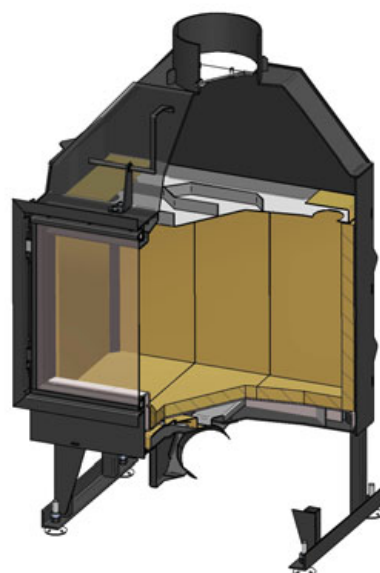
11

REGULATION OF FEET HEIGHT

Simple regulation of feet enables precise levelling of the insert during the assembly.



12



Intersection of the ECO iLINE 5172 insert

Economic support of central heating and hot water system, with the use of ECO iLINE 5172 EX fireplace insert



Advantages of ECO iLINE 5172 EX fireplace insert:

- clean combustion (as in a traditional air insert) prevents from creosote forming, which takes place in case of traditional furnaces with a complete water jacket
- the most efficient system wood combustion - on ash
- special combustion gas deflector lengthens combustion gas path and makes combustion more efficient and ecological
- high efficiency 80 %
- heating of a house by convection as well as supporting a central heating and hot water system
- central water heating in a closed system
- possibility of disassembling the furnace interior enables insert's maintenance without the need of its disassembly and an easy installation and uninstallation of a water exchange
- smooth regulation of air inlet enables the control over intensity and speed of combustion
- door lock with a double bolt

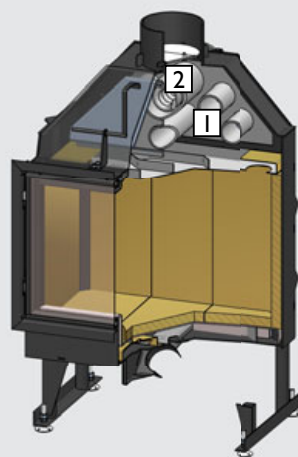
Do you look for an economic way to heat your house?

Considering increasing costs of electricity, gas and furnace oil, expenditures for heating of the houses constitute the largest part of a maintenance budget. Thus, an installation of an economic heating system brings reasonable profits and spent investment costs pay off back promptly.

An exemplary heating system presents cooperation of a traditional heating boiler with a fireplace with the ECO iLINE 5172 EX insert. Such solution offers the possibility of supporting a central heating and hot water system when burning in a fireplace and at transitional periods, it is able to heat a whole house on its own.

ECO iLINE 5172 EX fireplace insert enables efficient house heating as it is equipped in a cooling coil and thanks to this, it can work in a closed system. In this way, installation costs are substantially reduced and exploitation comfort is higher.

A heating system with ECO iLINE 5172 EX fireplace insert can cooperate with a heating system with solar energy collectors. A user obtains the most economic solution for current time.



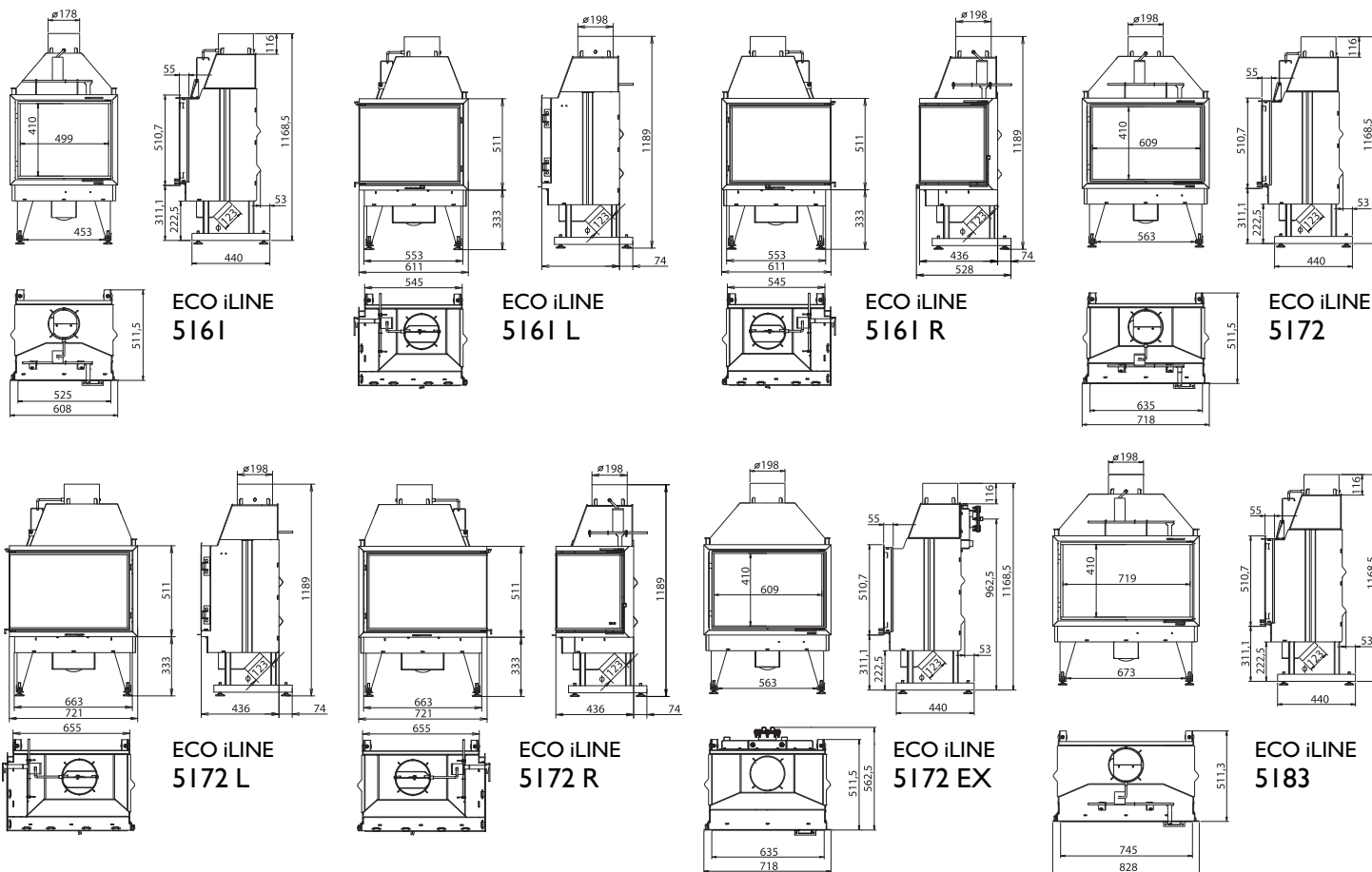
Intersection of the ECO iLINE 5172 EX insert

1. Water exchanger, where heating medium for central heating and hot water systems is heated. Location of the exchanger in the upper part of the furnace makes that heat recovery is more efficient and we can also implement air (convective) house heating.



2. Cooling coil of the water exchanger – use of the coil enables connection of the ECO iLINE 5172 EX fireplace insert in a closed heating system, thanks to which installation costs are lower.





KFD ECO iLINE technical data	5161	5161L/R	5172	5172 L/R	5172 EX	5183
Rated power [kW]	12	8,5	13	11	12,8	14,5
Heating power range [kW]	10-14	7-11	11-15	9-13	11-15	12,5-16,5
Rated power of the water exchanger [kW]*	-	-	-	-	4,6	-
Maximum pressure in the water exchanger [Bar]*	-	-	-	-	0,5	-
Maximum work temperature in the water exchanger [°C] *	-	-	-	-	95°C	-
Efficiency [%]	78	78	79	78	80	80
Average smoke temperature [°C]	270	245	263	269	218	256
Average wood consumption [kg/h]	3,3	3	4,1	3,3	4	4,3
Heated capacity [m ³]	200-375	150-280	230-415	183-345	230-415	250-450
CO emission at 13% O ₂ [%]	0,09	0,18	0,10	0,11	0,13	0,10
Maximum log length [cm]	35	33	35	33	35	50
Front dimensions [mm]:						
- width	610	611	720	721	720	830
- height	510	511	510	511	510	510
- diagonal	794	795	880	881	794	973
Dimensions of windowed part of door [mm]:						
- width	499	550	609	660	609	719
- height	410	410	410	410	410	410
- diagonal	646	688	737	779	737	828
Minimum effective chimney height [m] **	4	5	4	5	5	5
Minimum negative pressure in chimney duct [Pa]	12	12	12	12	12	12
Diameter of smoke outlet port [mm]	198	198	198	198	198	198
Weight [kg]	129	135	142	147	191	157

Due to assumed tolerances at the manufacturing stage, there might be slight differences between a finished product and figures and dimensions. In cases when exact dimensions of a product have a significant importance in planning an installation place, it is necessary to obtain real dimensions of a fireplace insert.

Parameters according to the EN 13229 norm.

* Regards only to 5172 EX.

** For the chimney diameter equal to the diameter of combustion gas outlet port.

KFD Sp. z o.o. reserves the right to introduce without notification any changes of technical parameters, equipment and specifications of offered devices. Information given in this promotional material are pictorial and do not constitute an assurance of concordance with a contract according to the Article 4, Par. 3 and 4 of the Act from the 27th July 2002 on specific terms and conditions of consumer sale and amendments to the Civil Code, and are not a product within the meaning of the Art. 4, Par. 2 of the above mentioned Act. Individual settlement of features, warranty conditions and product specification takes place within the sales contract and the warranty card. This publication does not constitute an offer within the meaning of the Art. 66 of the Civil Code.

KFD Sp. z o.o. is not responsible for print errors.

© Copyright KFD Sp. z o.o. 2012. All rights reserved. Leaflet printed in Poland. Ver. KFDECOILINEENG02022012.

KFD RESELLER:



KFD Sp. z o.o.

ul. Olszankowa 51, PL 05-120 Legionowo, Poland

phone +48 507 005 711, fax +48 227 741 711

e-mail export@kfd.eu, www.kfdesign.eu

