



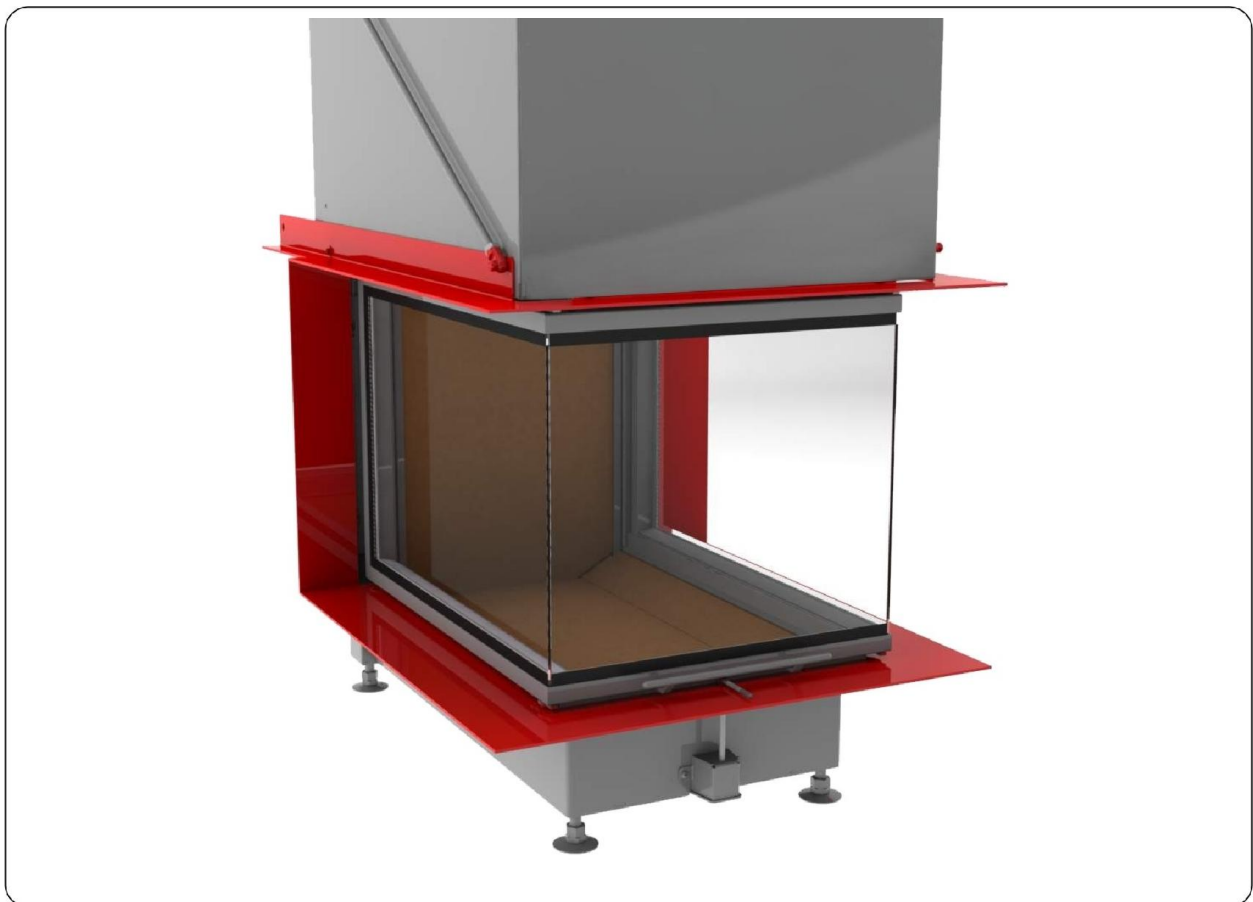
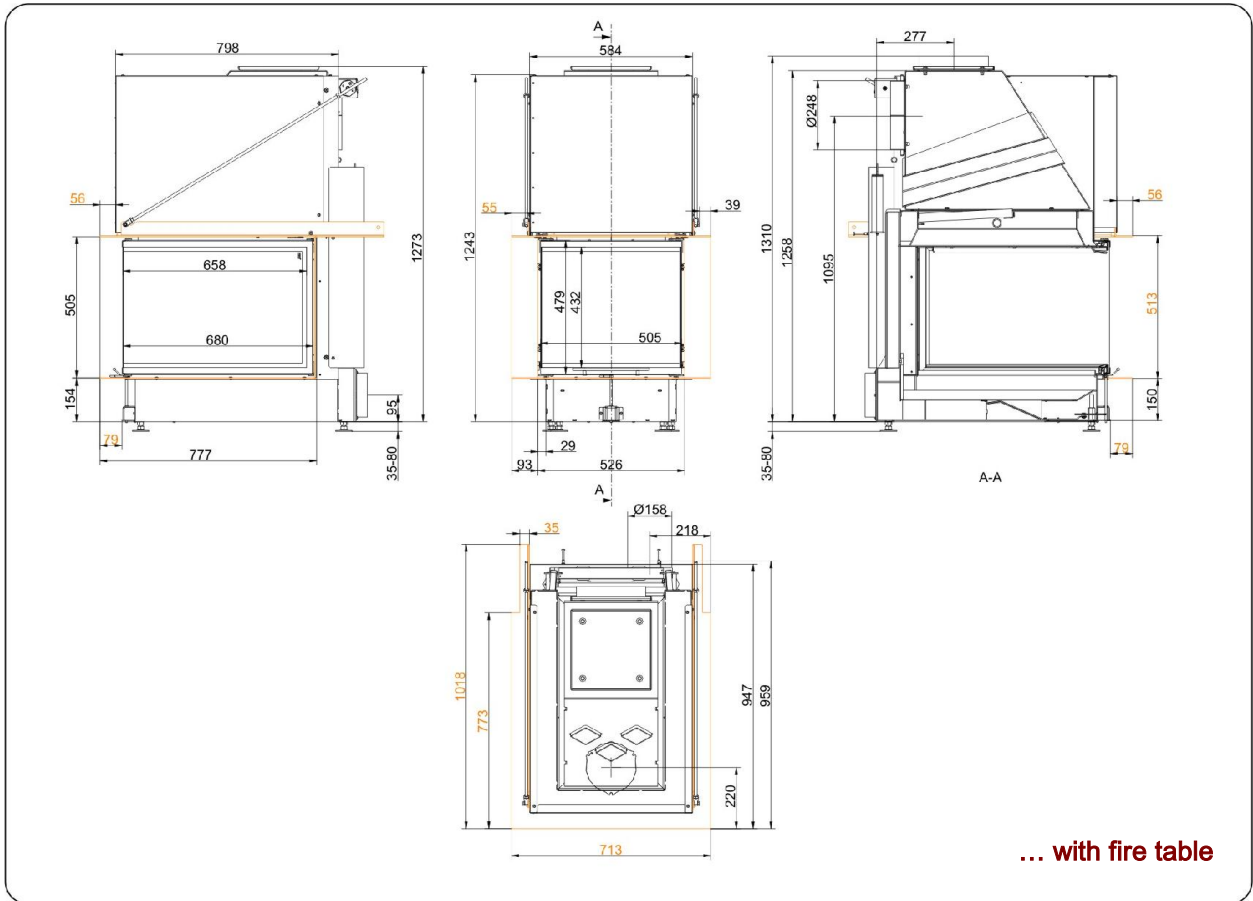
Panorama-Kamin 51/66/50/66 lifting doors (easy-lift)

State: 17.11.2014



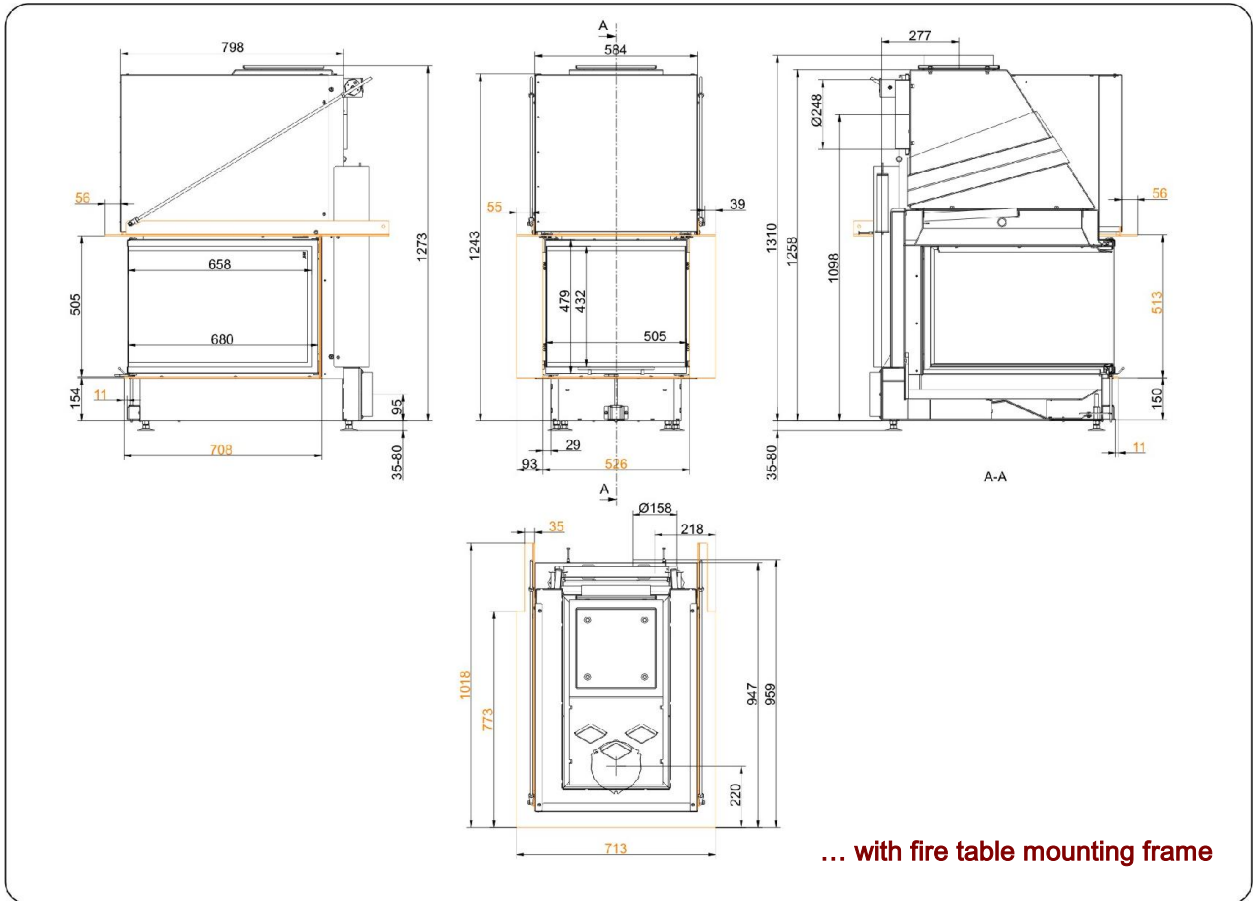
BRUNNER[®]
made in germany

Dimension sheet | **Panorama-Kamin 51/66/50/66 lifting doors (easy-lift)**



We suggest for CAD planing Palette CAD. Permanent updated drawings: www.brunner.de
 Frames / front versions are marked colored.

Dimension sheet | **Panorama-Kamin 51/66/50/66 lifting doors (easy-lift)**



We suggest for CAD planing Palette CAD. Permanent updated drawings: www.brunner.de
 Frames / front versions are marked colored.

Planning and installation

Panorama-Kamin 51/66/50/66

Tested according to		EN 13229 W
Values measured at		nominal load
Suitable for all construction types according to rules		OK
Data for functional demonstration		
Rated heat power	kW	14,5
Firewood consumption	kg/h	4,1
Combustion performance	kW	17
Flue gas mass flow	g/s	12
Outlet temperature (before heating surface)	°C	-
Flue gas temperature after		
attached steel smoke hood	°C	220
adjoining cast iron radiator (GNF10)	°C	-
accumulation rings (MAS) ¹⁾	°C	-
adjoining ceramic accumulator ²⁾	°C	-
accumulation stones (MSS)	°C	-
water boiler	°C	-
Necessary supply pressure	Pa	12
Combustion air consumption	m ³ /h	40
Combustion air connection Ø	mm	160
Heat distribution		
Insert / heating surface	%	50 / -
Glass (single / double)	%	50 / -
Boiler	%	-
Cross-section of gratings for max. warm air power		
Supply air	cm ²	900
Warm air	cm ²	900
Minimal oven surface for closed construction type		
Surface giving off heat	m ²	4,0
Space inside oven chamber		
Distance to oven chamber wall	cm	8
Distance to floor	cm	-
Heat insulation without / with ³⁾ air gratings		
Wall	cm	14 / 10
Floor	cm	2 / 2
Ceiling	cm	22 / 16
Insulation of additional fire door DHT	cm	-
Brick lining of protected walls	cm	10
Weight		
Fireplace + burning chamber	kg	264 + 39
meets requirement limit values for		
Germany / Austria / Switzerland / Norway		1.BImSchV (Stufe 2) / 15a BVG / LRV / NS 3059

1) Throttle flap recommended

2) Approximate value, must be calculated eventually

3) Values with air gratings, stove casing is heat conducting

Ulrich Brunner GmbH
Zellhuber Ring 17 -18
D-84307 Eggenfelden
Phone: +49 / (0)87 21 / 7 71-0
Fax: +49 / (0)87 21 / 7 71-100
info@brunner.eu | www.brunner.eu

The logo for Brunner, featuring the word "BRUNNER" in a bold, stylized, sans-serif font. The letters are composed of horizontal lines, giving it a textured, industrial appearance. A registered trademark symbol (®) is located at the top right of the logo.

BRUNNER products are offered and sold only by qualified dealers and service centres.
Subject to technical and assortment changes. Errors excepted. (11/14)