



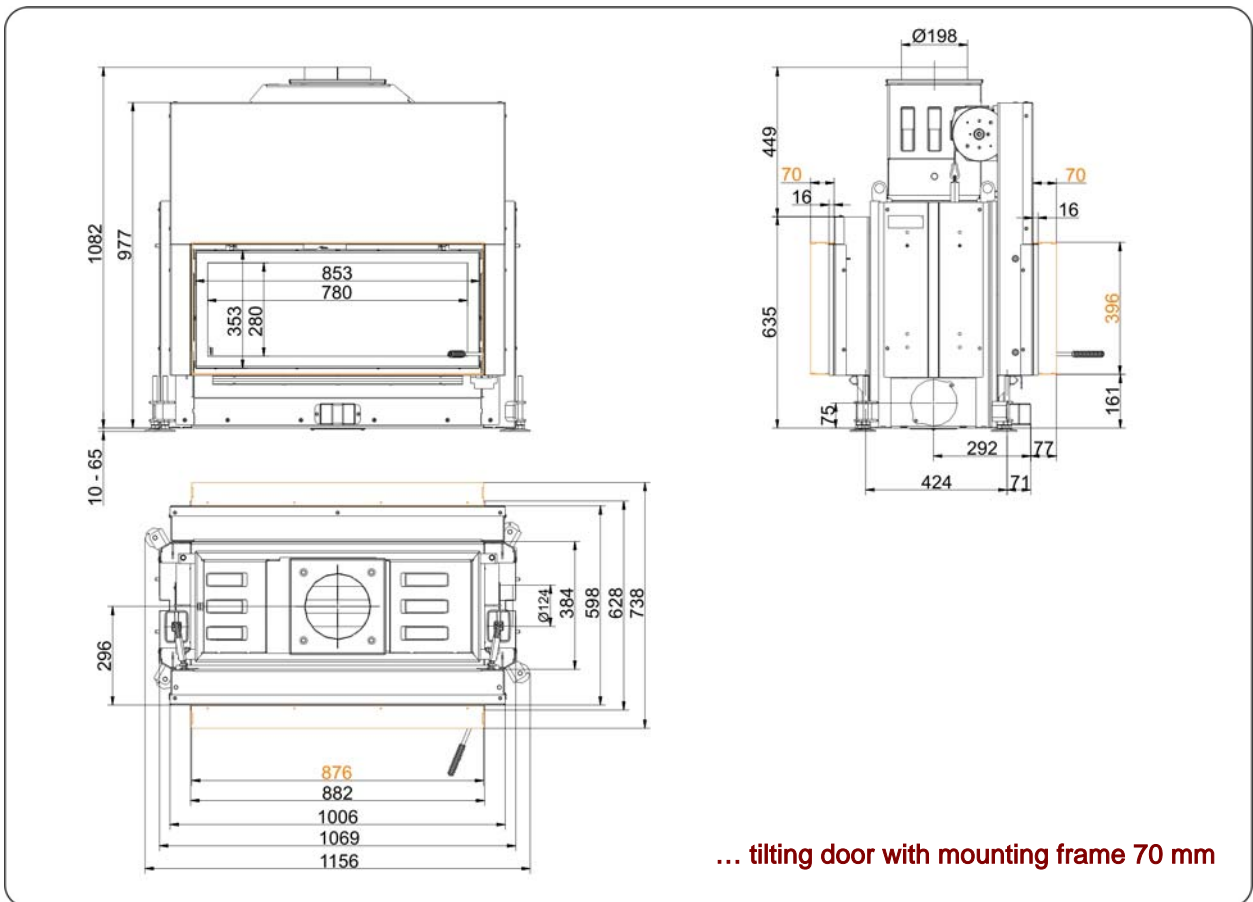
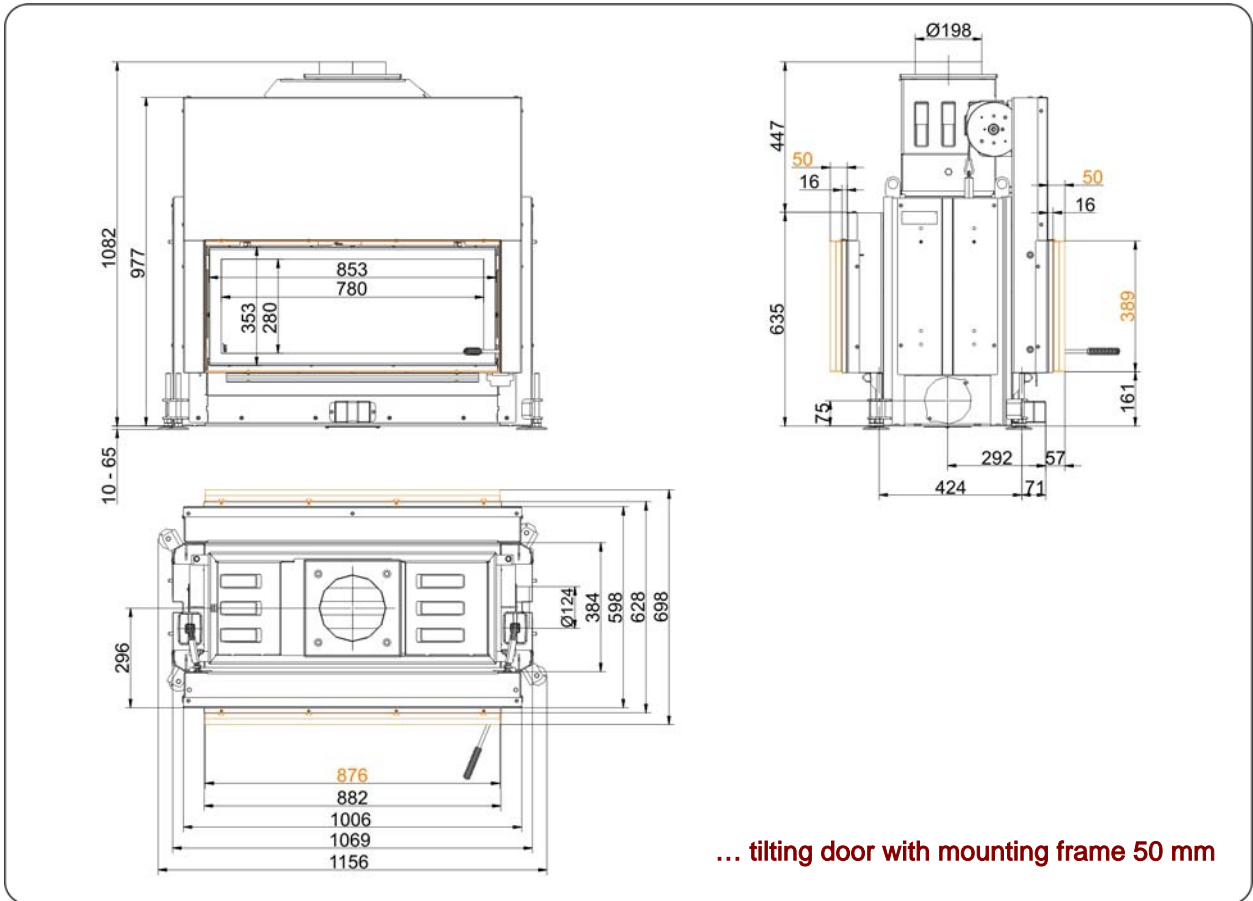
## Architektur-Tunnel 38/86 lifting doors

State: 31.08.2012



**BRUNNER**<sup>®</sup>  
*made in germany*

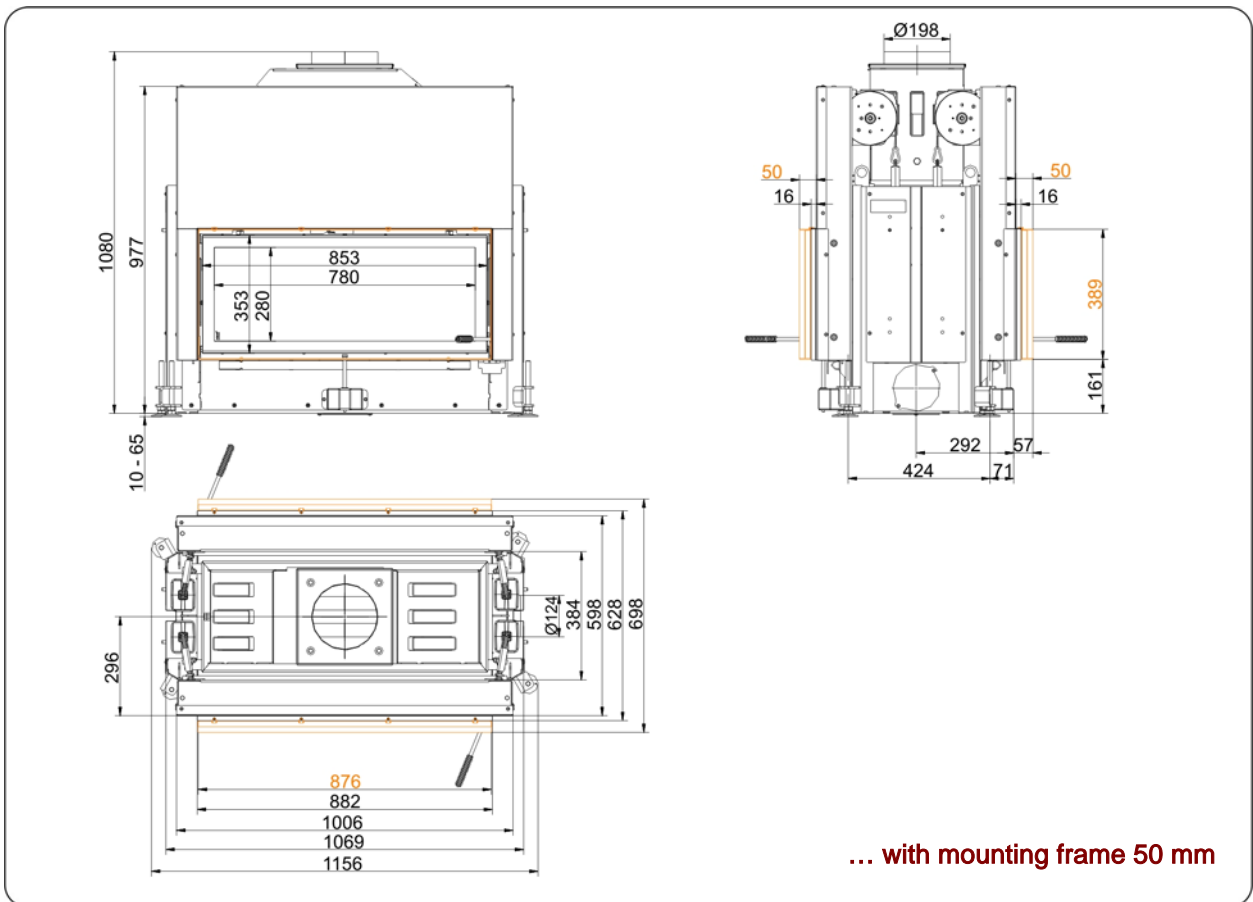
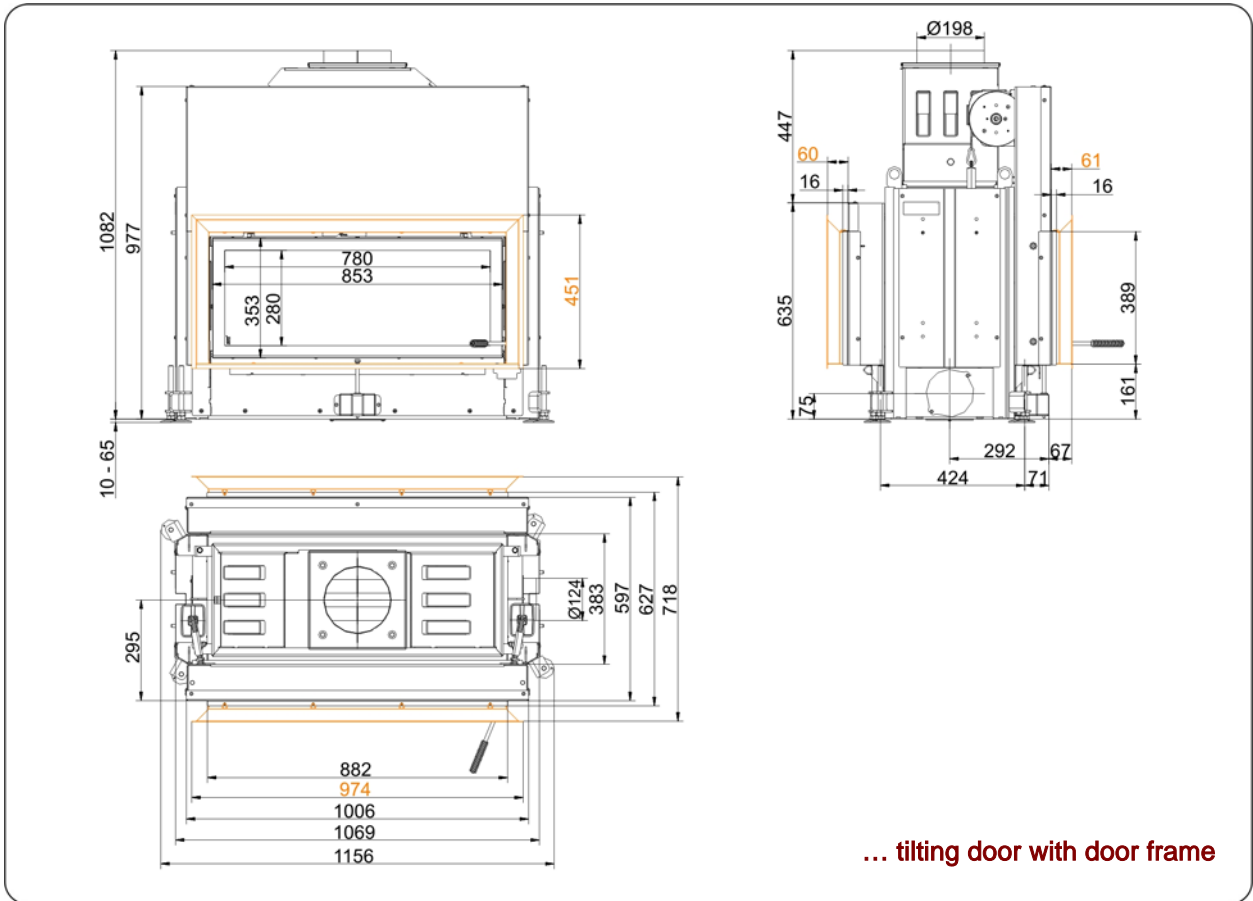
Dimension sheet | **Architektur-Tunnel 38/86 lifting doors**



We suggest for CAD planing Palette CAD. Permanent updated drawings: [www.brunner.de](http://www.brunner.de)

Frames / front versions are marked colored. Smoke pipe adapter fixed on the side is available against surcharge.

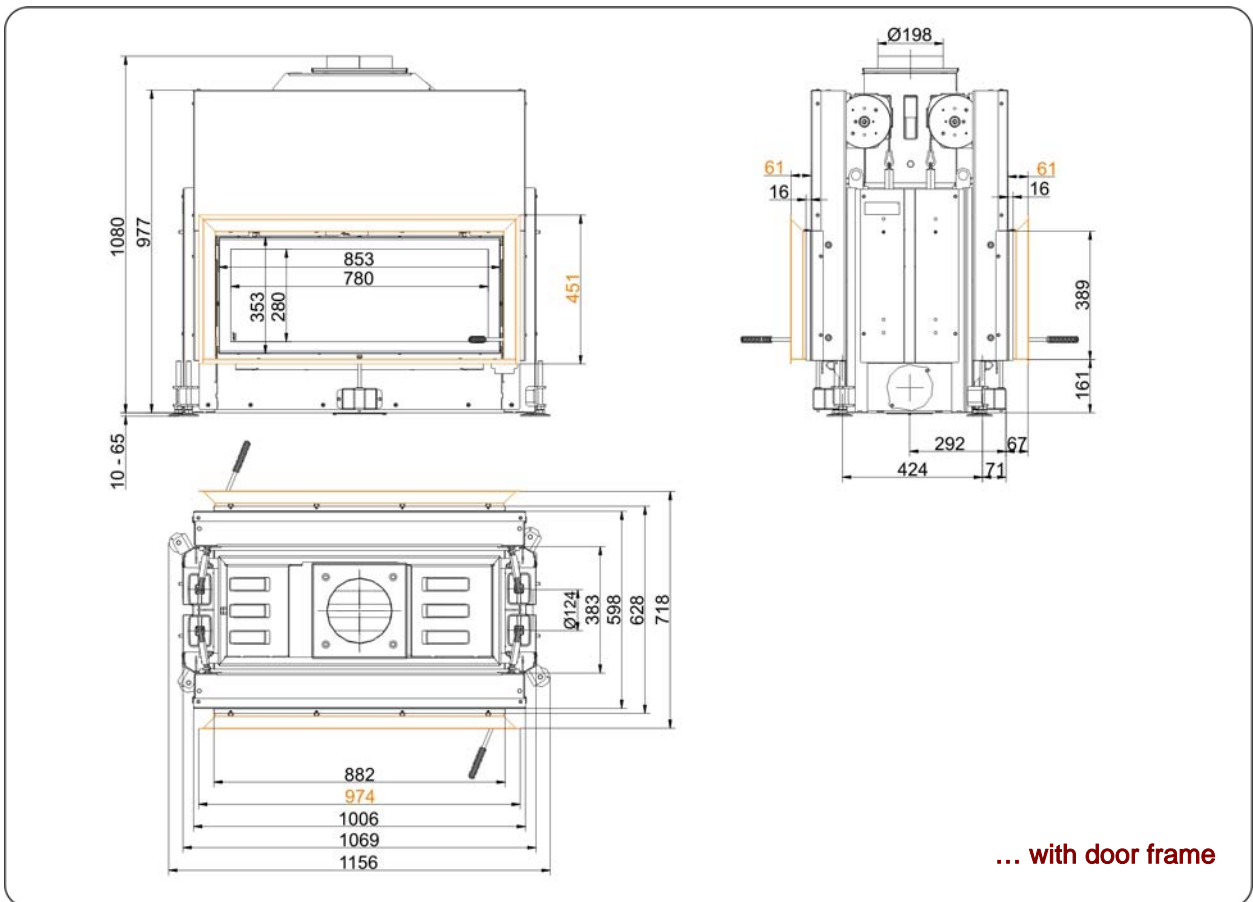
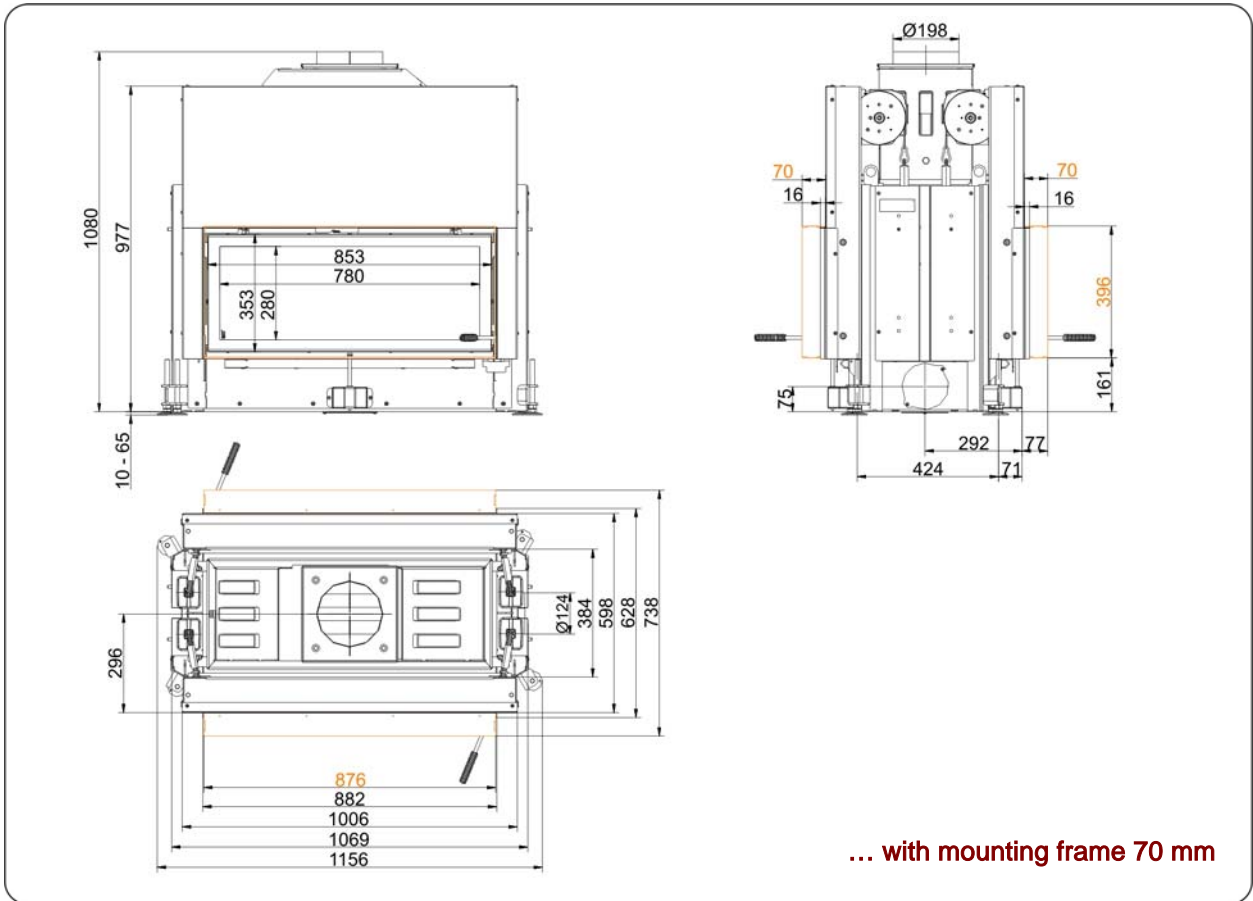
Dimension sheet | **Architektur-Tunnel 38/86 lifting doors**



We suggest for CAD planing Palette CAD. Permanent updated drawings: [www.brunner.de](http://www.brunner.de)

Frames / front versions are marked colored. Smoke pipe adapter fixed on the side is available against surcharge.

Dimension sheet | **Architektur-Tunnel 38/86 lifting doors**



We suggest for CAD planing Palette CAD. Permanent updated drawings: [www.brunner.de](http://www.brunner.de)

Frames / front versions are marked colored. Smoke pipe adapter fixed on the side is available against surcharge.

# Planning and installation

## Architektur-Tunnel 38/86

Tested according to	EN 13229 W	EN 13229 W
Values measured at	nominal load	open door <sup>4)</sup>
Suitable for all construction types according to rules	OK	OK

### Data for functional demonstration

Rated heat power	kW	10	-
Firewood consumption	kg/h	3,1	3,1
Combustion performance	kW	13,5	13,5
Flue gas mass flow	g/s	11	75
Outlet temperature (before heating surface)	°C	-	-
Flue gas temperature after			
attached steel smoke hood	°C	220	135
adjoining cast iron radiator (GNF10)	°C	-	-
accumulation rings (MAS) <sup>1)</sup>	°C	-	-
adjoining ceramic accumulator <sup>2)</sup>	°C	-	-
ceramic modular accumulator (KMS system)	°C	-	-
water boiler	°C	-	-
Necessary supply pressure	Pa	12	6
Combustion air consumption	m <sup>3</sup> /h	30	200
Combustion air connection Ø	mm	125	-

### Heat distribution

Insert / heating surface	%	50 / -	- / -
Glass (single / double)	%	50 / -	- / -
Boiler	%	-	-

### Cross-section of gratings for max. warm air power

Supply air	cm <sup>2</sup>	800	0
Warm air	cm <sup>2</sup>	800	0

### Minimal oven surface for closed construction type

Surface giving off heat	m <sup>2</sup>	3,0	-
-------------------------	----------------	-----	---

### Space inside oven chamber

Distance to oven chamber wall	cm	8	8
Distance to floor	cm	-	-

### Heat insulation without / with <sup>3)</sup> air gratings

Wall	cm	16 / 12	16 / 12
Floor	cm	2 / 2	2 / 2
Ceiling	cm	28 / 20	28 / 20
Insulation of additional fire door DHT	cm	-	-
Brick lining of protected walls	cm	10	10

### Weight

Fireplace + burning chamber	kg	180 + 51
-----------------------------	----	----------

### meets requirement limit values for

Germany / Austria / Switzerland / Norway	1.BImSchV (Stufe 2) / 15a BVG / LRV / -
--	---

- 1) Throttle flap recommended
- 2) Approximate value, must be calculated eventually
- 3) Values with air gratings, stove casing is heat conducting
- 4) limited to one side opening

Ulrich Brunner GmbH  
 Zellhuber Ring 17 -18  
 D-84307 Eggenfelden  
 Phone: +49 / (0)87 21 / 7 71-0  
 Fax: +49 / (0)87 21 / 7 71-100  
 info@brunner.de | www.brunner.de



BRUNNER products are offered and sold only by qualified dealers and service centres.  
 Subject to technical and assortment changes. Errors excepted. (08/12)