



Live fire is a show in itself. Modern interior design respects its beauty. The less ornaments the better. Raw concrete, stone, wood, ceramic, gypsum, glass and steel. In such a company, fire looks its best when set in a modest, almost ascetic frame. Excellent materials, functionality, safety and simple form - just to mention a few benefits of our fireplace inserts. Are you thinking about an unusual fireplace? We are the best for this job!



 **KFD**esign

FIERY Home Cinema
Fireplace inserts

LARGE FORMAT FIRE

Linea 2.0

LARGE FORMAT FIRE

A large format of the firebox provides an unusual, panoramic view of the fire. Such design requires great space as fire looks best from a distance. In return, you can admire a view that can easily beat a TV set.



Capacity in kW: **8-14 kW**
Heating capacity: **180-300 m³**
Front height: **510 mm**
Front width: **770 mm**

Linea  920 2.0 Cl



Capacity in kW: **9-16 kW**
Heating capacity: **250-400 m³**
Front height: **510 mm**
Front width: **920 mm**

Linea  1050 2.0 Cl



Capacity in kW: **12-20 kW**
Heating capacity: **350-500 m³**
Front height: **510 mm**
Front width: **1070 mm**

Linea  1180 2.0 Cl



Capacity in kW: **13-22 kW**
Heating capacity: **450-600 m³**
Front height: **510 mm**
Front width: **1220 mm**

Linea  1320 2.0 Cl

LIKE A BONFIRE

Linea 2.0

LIKE A BONFIRE

A high firebox makes you feel as if you were in front of a bonfire. Swirling tongues of flame make a fascinating performance. This fashionable solution can perfectly suit smaller spaces too.



Capacity in kW: **8-11 kW**
Heating capacity: **150-270 m³**
Front height: **550 mm**
Front width: **590 mm**

Linea  810 2.0



Capacity in kW: **8-10 kW**
Heating capacity: **100-200 m³**
Front height: **960 mm**
Front width: **470 mm**

Linea  1070 2.0



Capacity in kW: **9-16 kW**
Heating capacity: **250-400 m³**
Front height: **760 mm**
Front width: **770 mm**

Linea  1080 2.0



Capacity in kW: **10-18 kW**
Heating capacity: **350-500 m³**
Front height: **760 mm**
Front width: **920 mm**

Linea  1190 2.0

WALL OF FIRE

Linea DF 2.0

WALL OF FIRE

One insert but two fireplaces and in extremely different styles at that. This is a double-sided fireplace insert. The flame can be admired in two rooms simultaneously. In this way the image of the flame becomes deeper with the view of the other room showing through the curtain of fire.



Capacity in kW: **10-18 kW**
Heating capacity: **450-600 m³**
Front height: **510 mm**
Front width: **1070 mm**

Linea DFH 1180 2.0



Capacity in kW: **10-18 kW**
Heating capacity: **450-600 m³**
Front height: **760 mm**
Front width: **920 mm**

Linea DFV 1190 2.0



KFDesign fireplace inserts suitable for continuous burning.

KFDesign fireplace inserts employ the newest solutions and most advanced technologies.

DURABILITY AND SAFETY



The outer jacket is made of 4 mm ST 37.2 steel (1). Inner components of the firebox are high temperature resistant. The firebox bottom is made of refractory material (2), sides and back (3) are made of vermiculite (in the case of H CI models there are cast iron elements on the back). Wearable parts of the firebox inside are readily available and can be easily changed.

THERMOSTATIC FLAME CONTROL



Inserts are equipped with a thermostat that automatically adjusts air supply to the temperature in the firebox. In consequence, heating capacity remains stable. This solution contributes to fireplace user's comfort, significantly extends burning time and ensures fuel economy.

AUTOMATIC DAMPER*



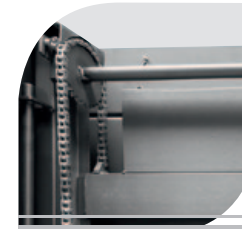
The damper opens when the doors are lifted to push smoke directly into the flue. On door closing the damper closes automatically.
*not apply to double sided glass inserts

MORE HEAT



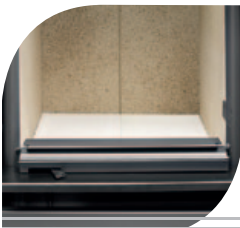
Smoke deflectors in KFDesign inserts have been designed to maximise fireplace heating capacity. On their way to the flue outlet, combustion gases rebound from the deflector several times so smoke remains longer in the combustion chamber. Particles that would otherwise go straight into the chimney are fully burnt. More heat is produced to heat up the room.

CONVENIENCE OF USE



A precise door opening mechanism makes it possible to lift and pull down the glass pane with a single hand movement. In KFDesign inserts we can burn wood with the doors opened to enjoy the unique atmosphere of the traditional fireplace.

IDEAL FIRE VIEWING



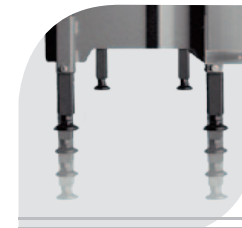
Modern design – doors without "frame" make the whole firebox visible. Magnificent view of the fire is also a result of pyrolysis and appropriate air circulation within the firebox. That is why manual glass pane cleaning is rarely needed.

EASY INSTALMENT



In the fireplace industry the weight of the device corresponds to its quality. To ensure convenience and safety of our Authorised Installers, we have equipped every insert with hand grips to facilitate device handling.

REGULATED LEG HEIGHT



A special construction allows for easy regulation of the insert bottom height between 130 and 430 mm. Additionally, each leg in the KFDesign insert has a precise leveller to ensure device stability.

DIRECT AIR SUPPLY



KFDesign Linea 2.0 inserts can use a direct injection of outside air into the fireplace. Air intake can be precisely regulated or totally closed. It is especially important in modern, well insulated buildings.

USEFUL ACCESSORIES



Comfort and safety of KFDesign fireplace inserts are the top priority for us. To each insert handy mittens and "a cold handle" are attached. Each insert is equipped with a special ash pan to use the most efficient wood burning on ash. At the same time, ash can be disposed of in a convenient way.

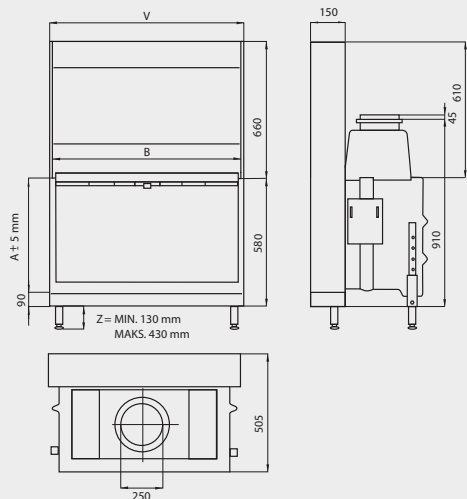
EASY PANE CLEANING



Easy access to the inner surface of the glass pane becomes important when we want to clean it. The pane smoothly unhinges and automatically lifts up so you do not have to lean down to clean it.

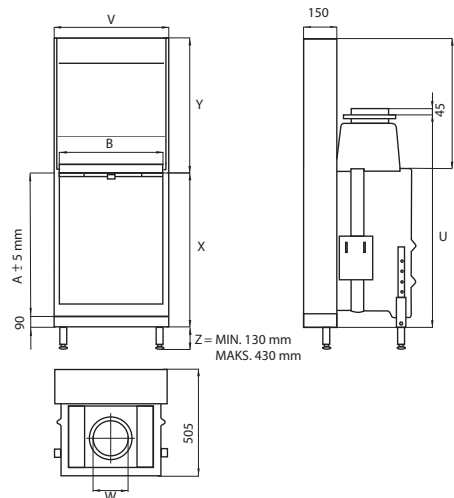
Fireplace inserts **KFDesign Linea 2.0**

Fireplace inserts **KFDesign LINEA H**



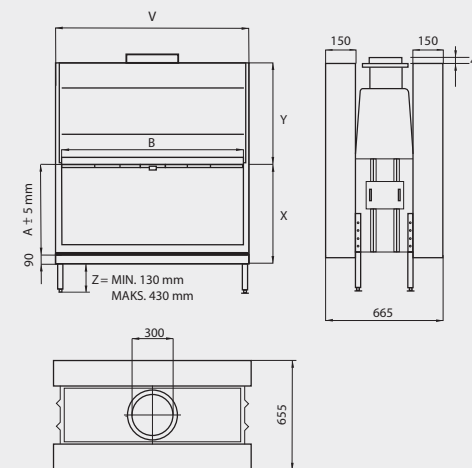
Model	H 920 2.0	H 1050 2.0	H 1180 2.0	H 1320 2.0
Dimensions*: A [mm]	510	510	510	510
B [mm]	770	920	1070	1220
V [mm]	850	1000	1150	1300
Front diagonal [mm]	925	1050	1185	1320
Nominal heat output [kW]	12	14	16	18
Capacity range [kW]	8-14	9-16	12-20	13-22
Efficiency [%]	62	64	63,4	63
CO emission grade***	I	I	I	I
Heating capacity**** [m ²]	180-300	250-400	350-500	450-600
Max. log size [cm]	60	80	90	105
Min. chimney height***** [m]	4	4	4	4
Min. negative pressure in the flue [Pa]	12	12	12	12
Weight [kg]	185	210	230	250

Fireplace inserts **KFDesign LINEA V**



Model	V 810 2.0	V 1070 2.0	V 1080 2.0	V 1190 2.0
Dimensions*: A [mm]	550	960	760	760
B [mm]	590	470	770	920
T [mm]	610	580	790	790
U [mm]	995	1405	1160	1160
V [mm]	660	550	850	1000
W [mm]**	250	250	250	250
X [mm]	620	1030	830	830
Y [mm]	560	570	770	770
Front diagonal [mm]	810	1070	1080	1195
Nominal heat output [kW]	10	9	14	16
Capacity range [kW]	8-11	8-10	9-16	10-18
Efficiency [%]	62,5	61,2	62	63,2
CO emission grade***	I	I	I	I
Heating capacity**** [m ²]	150-270	100-200	250-400	350-500
Max. log size [cm]	45	60	60	80
Min. chimney height***** [m]	4	4	4	4
Min. negative pressure in the flue [Pa]	12	12	12	12
Weight [kg]	145	220	200	290

Fireplace inserts **KFDesign LINEA DF**



Model	DF H 1180 2.0	DF V 1190 2.0
Dimensions*: A [mm]	510	760
B [mm]	1070	920
V [mm]	1175	1028
X [mm]	610	830
Y [mm]	610	775
Front diagonal [mm]	1185	1195
Nominal heat output [kW]	16	16
Capacity range [kW]	10-18	10-18
Efficiency [%]	61	60,6
CO emission grade***	I	I
Heating capacity**** [m ²]	450-600	450-600
Max. log size [cm]	90	80
Min. chimney height***** [m]	4	4
Min. negative pressure in the flue [Pa]	12	12
Weight [kg]	330	305

* Due to pre-defined process tolerances, the actual product may slightly deviate from the above mentioned dimensions. In case when exact product dimensions are important for the fireplace location, the insert to be installed has to be measured. ** In models V 810 and V 1070 optional 200 mm diameter flue outlet. *** According to EN 13229. **** Depending on the climate and building insulation. ***** For chimney diameter equaling the flue outlet diameter.



KFD Sp. z o.o.
ul. Olszankowa 51, PL 05-120 Legionowo, Poland
phone +48 507 005 711, fax +48 22 774 17 11
e-mail export@kfd.eu, www.kfdesign.eu



Authorized Dealer **KFDesign**

KFD Sp. z o.o. reserves the right to introduce changes of the technical parameters, equipment and specification of the offered devices without notice. The data provided in this promotional material have a general informative character and are not tantamount to declaration of contract compliance as defined in para 4 subpara 3 and 4 of the Act on Special Conditions of Consumer Sales of 27th July 2002 and the amended Civil Code and do not constitute a product as defined in para 4 subpara 2 of the above-mentioned Act. Individual agreements on properties, warranty and device specification are defined in the Sales Contract and the Warranty Card. This publication is not an offer as defined in para 66 of the Civil Code.
© Copyright KFD Sp. z o.o. 2012. Ver. KFDESIGNLINEAENG202K0202012. All rights reserved.
Published in Poland.