

BRUNNER FIREPLACES



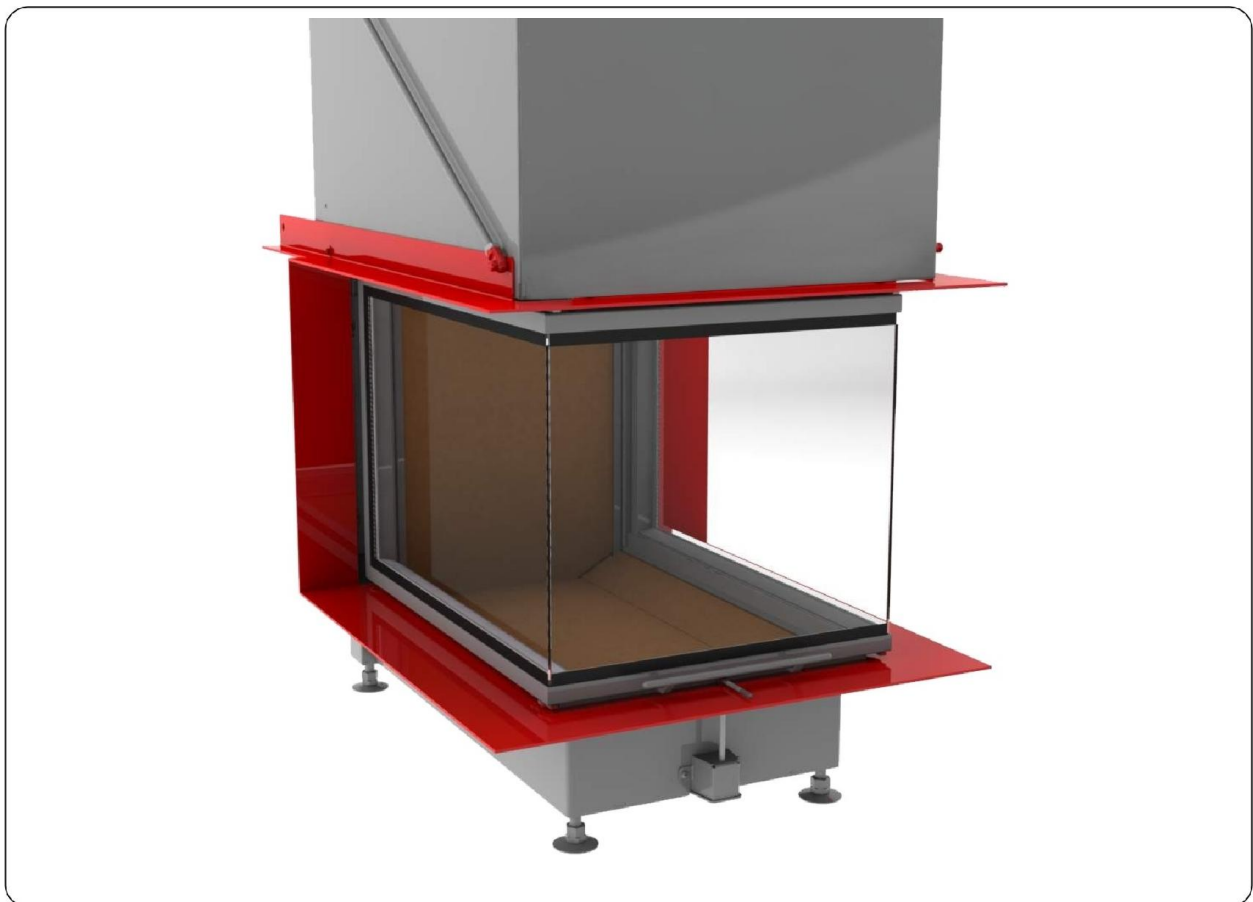
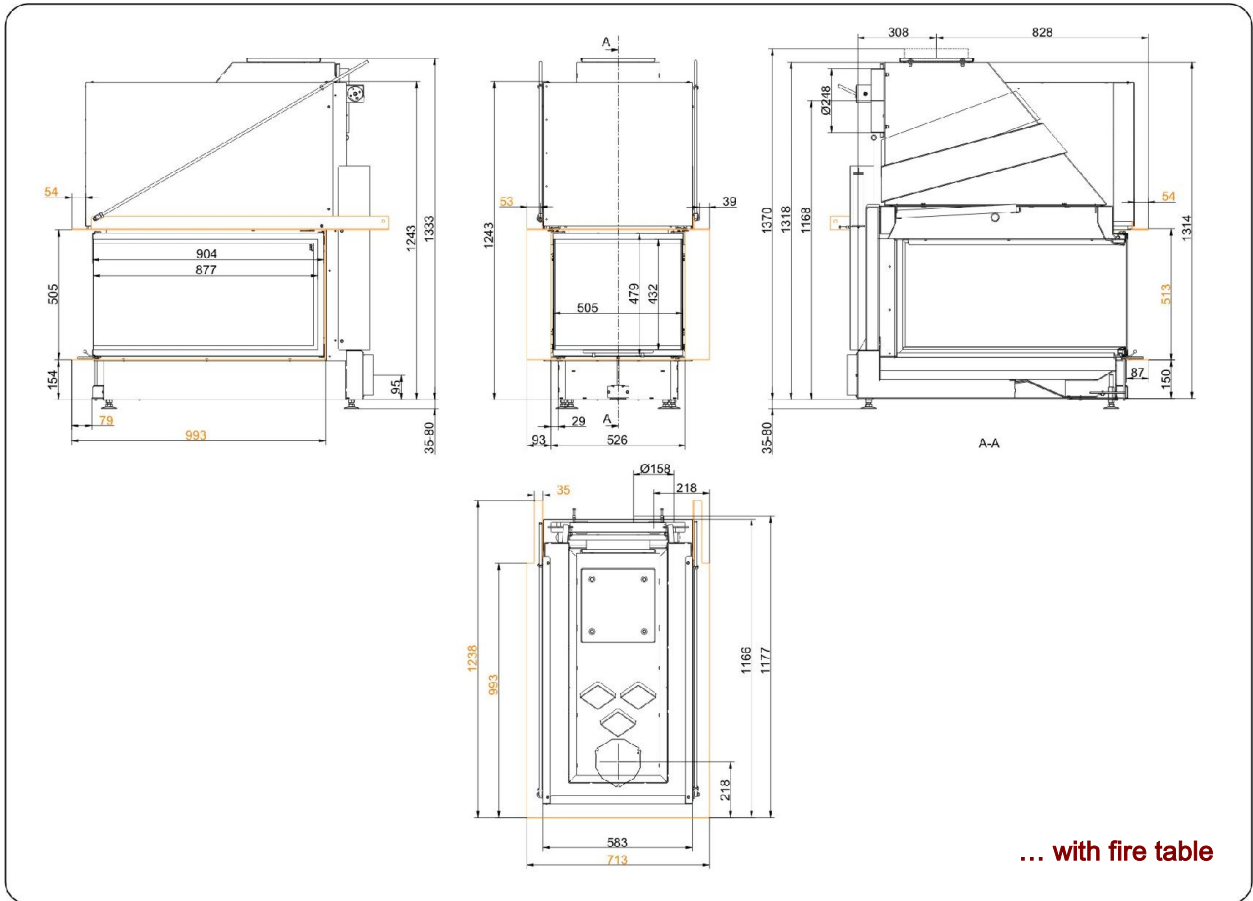
Panorama-Kamin 51/88/50/88 lifting doors (easy-lift)

State: 17.11.2014



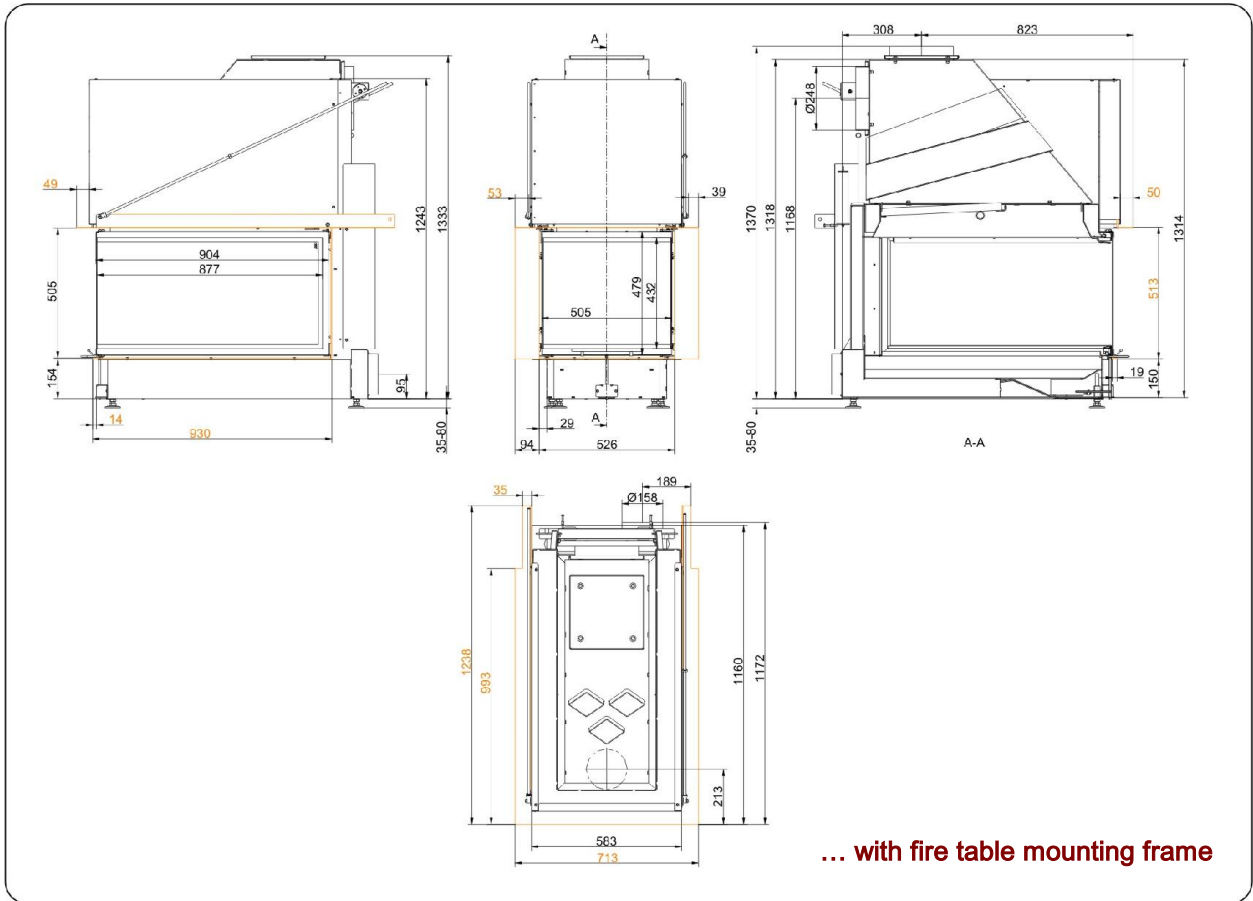
BRUNNER[®]
made in germany

Dimension sheet | **Panorama-Kamin 51/88/50/88 lifting doors (easy-lift)**



We suggest for CAD planing Palette CAD. Permanent updated drawings: www.brunner.de
 Frames / front versions are marked colored.

Dimension sheet | **Panorama-Kamin 51/88/50/88 lifting doors (easy-lift)**



We suggest for CAD planing Palette CAD. Permanent updated drawings: www.brunner.de
Frames / front versions are marked colored.

Planning and installation

Panorama-Kamin 51/88/50/88

Tested according to	EN 13229 W
Values measured at	nominal load
Suitable for all construction types according to rules	OK

Data for functional demonstration

Rated heat power	kW	14,5
Firewood consumption	kg/h	4,1
Combustion performance	kW	17
Flue gas mass flow	g/s	12
Outlet temperature (before heating surface)	°C	-
Flue gas temperature after		
attached steel smoke hood	°C	220
adjoining cast iron radiator (GNF10)	°C	-
accumulation rings (MAS) ¹⁾	°C	-
adjoining ceramic accumulator ²⁾	°C	-
accumulation stones (MSS)	°C	-
water boiler	°C	-
Necessary supply pressure	Pa	12
Combustion air consumption	m ³ /h	45
Combustion air connection Ø	mm	160

Heat distribution

Insert / heating surface	%	50 / -
Glass (single / double)	%	50 / -
Boiler	%	-

Cross-section of gratings for max. warm air power

Supply air	cm ²	1000
Warm air	cm ²	1000

Minimal oven surface for closed construction type

Surface giving off heat	m ²	4,0
-------------------------	----------------	-----

Space inside oven chamber

Distance to oven chamber wall	cm	8
Distance to floor	cm	-

Heat insulation without / with ³⁾ air gratings

Wall	cm	16 / 12
Floor	cm	2 / 2
Ceiling	cm	25 / 18
Insulation of additional fire door DHT	cm	-
Brick lining of protected walls	cm	10

Weight

Fireplace + burning chamber	kg	288 + 49
-----------------------------	----	----------

meets requirement limit values for

Germany / Austria / Switzerland / Norway	1.BImSchV (Stufe 2) / 15a BVG / LRV / NS 3059
--	---

- 1) Throttle flap recommended
- 2) Approximate value, must be calculated eventually
- 3) Values with air gratings, stove casing is heat conducting

Ulrich Brunner GmbH
Zellhuber Ring 17 -18
D-84307 Eggenfelden
Phone: +49 / (0)87 21 / 7 71-0
Fax: +49 / (0)87 21 / 7 71-100
info@brunner.eu | www.brunner.eu

BRUNNER[®]