



- 

Stahlblechhaube
- 


- Warm
Luft

Power-
Stahlblechhaube
- keramische
Züge


- Wasser

Gusskuppel
- 


- Elektronische
Ofen-
Steuerung

Modulaufsatz-
speicher
- 


- Aussenluft
Anschluss

Kesselmodul
- 

Türanschlag
rechts / links
- BImSchV


- 100%
PRODUKT

Spiralgriff
- 


- Durch
Heiz
Tür

Stellhebel
- 

33cm
Schnittlänge
- 

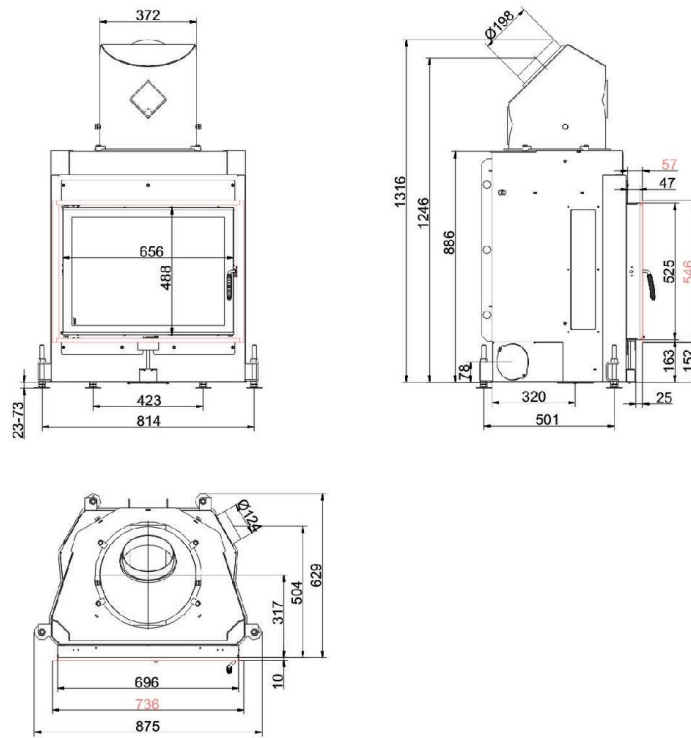


Kompakt-Kamin 51/67 flach side opening doors

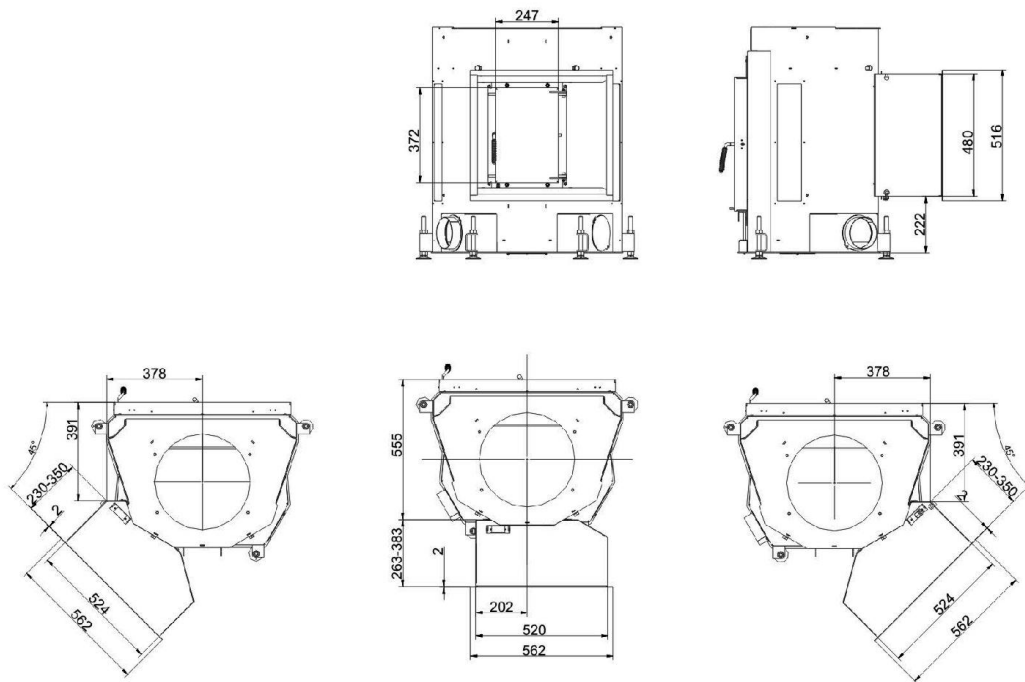
State: 19.02.2015

BRUNNER[®]
made in germany

Dimension sheet | **Kompakt-Kamin 51/67 flach side opening doors**



... with steel smoke hood



... with additional fire door

Planning and installation

Kompakt-Kamin 51/67 flach

Tested according to		EN 13229 W	EN 13229 WA	EN 13229 W
Values measured at		nominal load	accumulation	open door
Suitable for all construction types according to rules		OK	OK	OK
Data for functional demonstration				
Rated heat power	kW	11	-	-
Firewood consumption	kg/h	3,3	5	3
Combustion performance	kW	14	23	15
Flue gas mass flow	g/s	10,5	22	60
Outlet temperature (before heating surface)	°C	-	350	-
Flue gas temperature after				
attached steel smoke hood	°C	250	-	130
1 x adjoining cast iron radiator (GNF10)	°C	-	190	-
6 x accumulation rings (MAS) ¹⁾	°C	-	235	-
2 m adjoining ceramic accumulator ²⁾	°C	-	180	-
1,4 m accumulation stones (MSS)	°C	-	180	-
water boiler	°C	-	208	-
Necessary supply pressure	Pa	13	13	10
Combustion air consumption	m ³ /h	40	40	94
Combustion air connection Ø	mm	125	125	-
Heat distribution				
Insert / heating surface	%	30 / 30	30 / 30	- / -
Glass (single / double)	%	40 / -	40 / -	- / -
Boiler	%	-	-	-
Vent cross-section ⁴⁾				
Supply air	cm ²	700 / 200 / -	400 / 200 / 400	-
Warm air	cm ²	700 / 200 / -	400 / 200 / 400	-
Minimal oven surface for closed construction type				
Surface giving off heat	m ²	5,5	5,5	-
Space inside oven chamber				
Distance to oven chamber wall	cm	8	8	8
Distance to floor	cm	-	-	-
Heat insulation without / with ³⁾ air gratings				
Wall	cm	14 / 10	16 / 12	14 / 10
Floor	cm	4 / 2	4 / 2	4 / 2
Ceiling	cm	16 / 12	25 / 18	16 / 12
Insulation of additional fire door DHT	cm	6	6	6
Brick lining of protected walls	cm	10	10	10
Weight				
Fireplace + burning chamber	kg		160 + 80	
meets requirement limit values for				
Germany / Austria / Switzerland / Norway		1.BImSchV (Stufe 2) / 15a BVG (2015) / LRV / NS 3059		

1) Throttle flap recommended

2) Approximate value, must be calculated eventually

3) Values with air gratings, stove casing is heat conducting

4) for firebox / flue gas pipe / metallic reheating surface

Ulrich Brunner GmbH
 Zellhuber Ring 17 -18
 D-84307 Eggenfelden
 Phone: +49 / (0)87 21 / 7 71-0
 Fax: +49 / (0)87 21 / 7 71-100
 info@brunner.eu | www.brunner.eu



BRUNNER products are offered and sold only by qualified dealers and service centres.
 Subject to technical and assortment changes. Errors excepted. (02/15)