



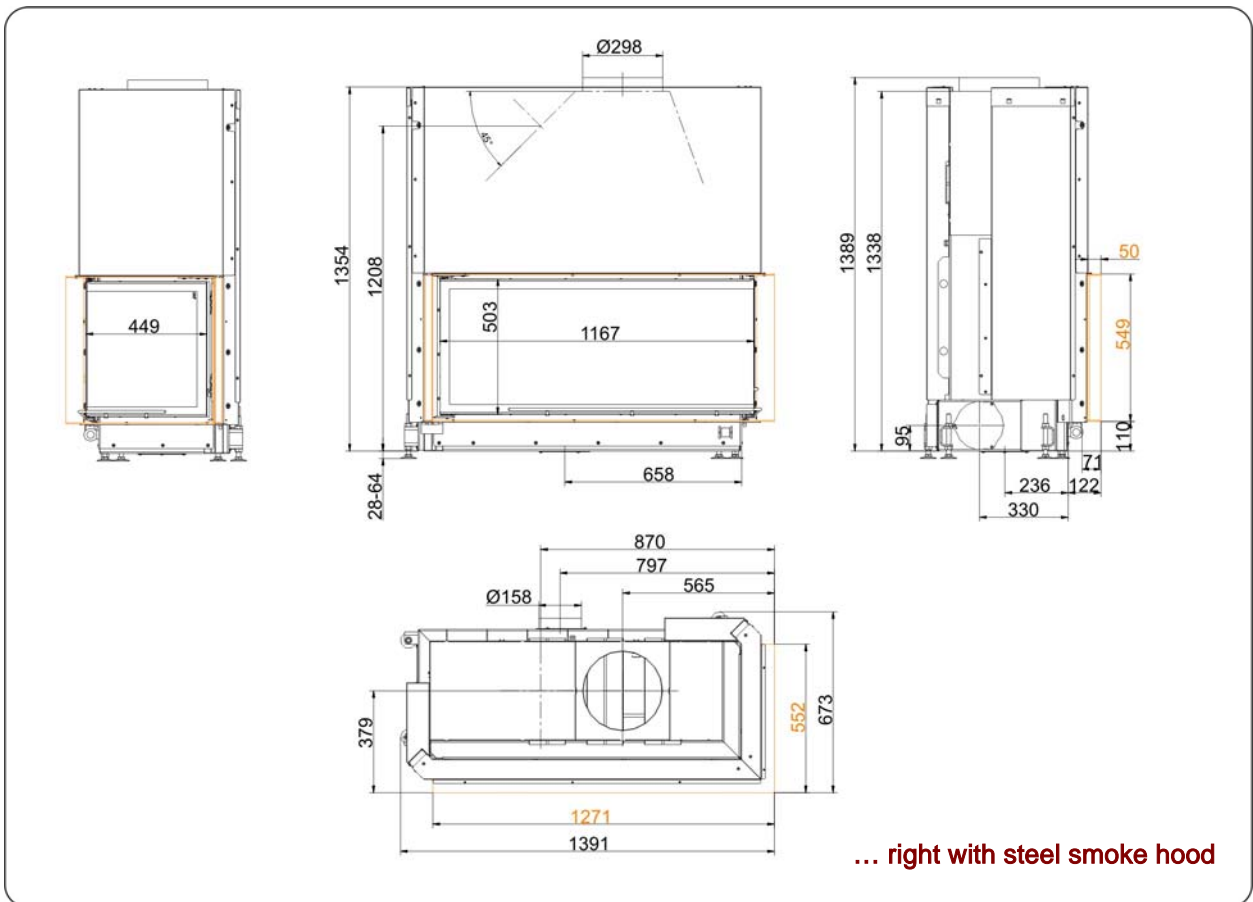
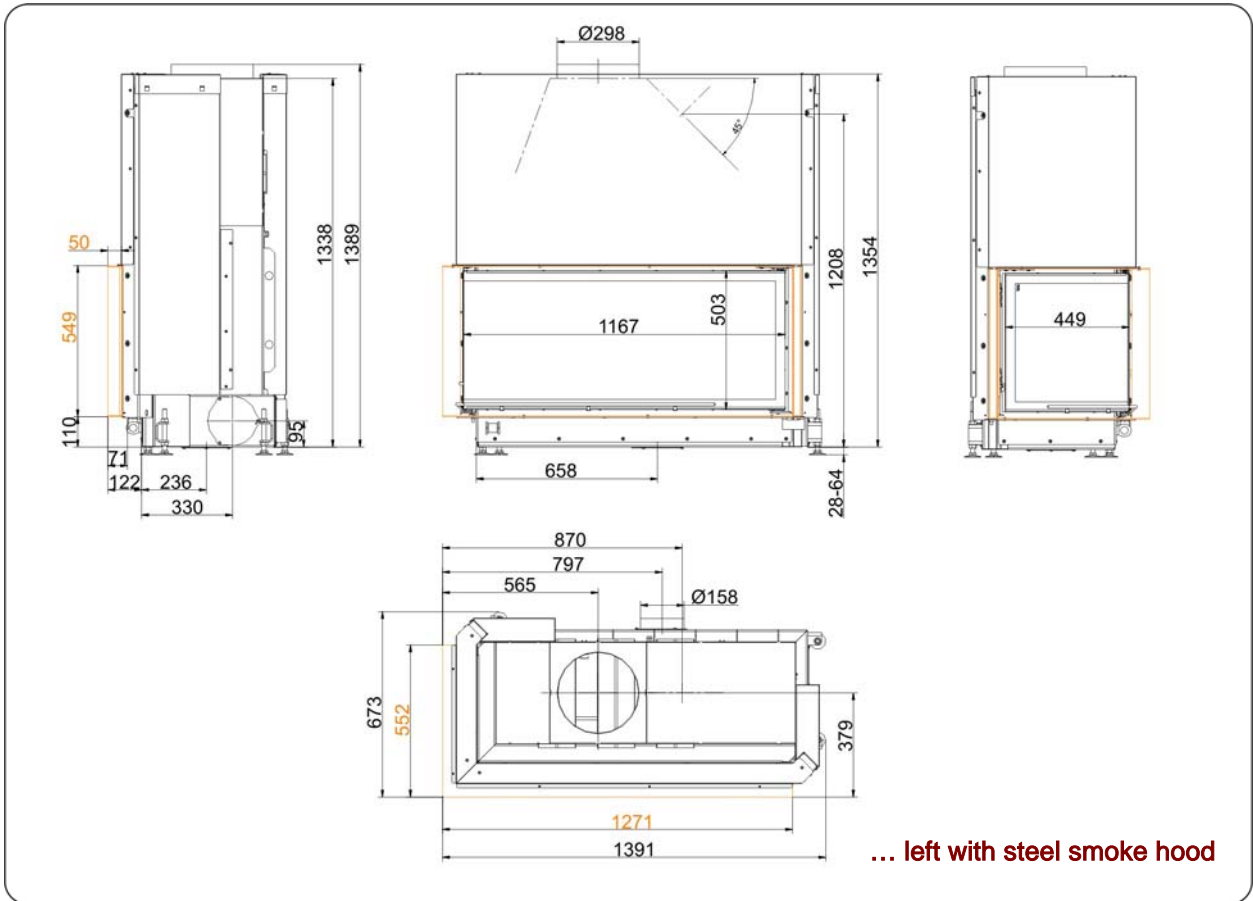
Architektur-Eck 53/121/50 lifting doors

State: 30.08.2012



BRUNNER[®]
made in germany

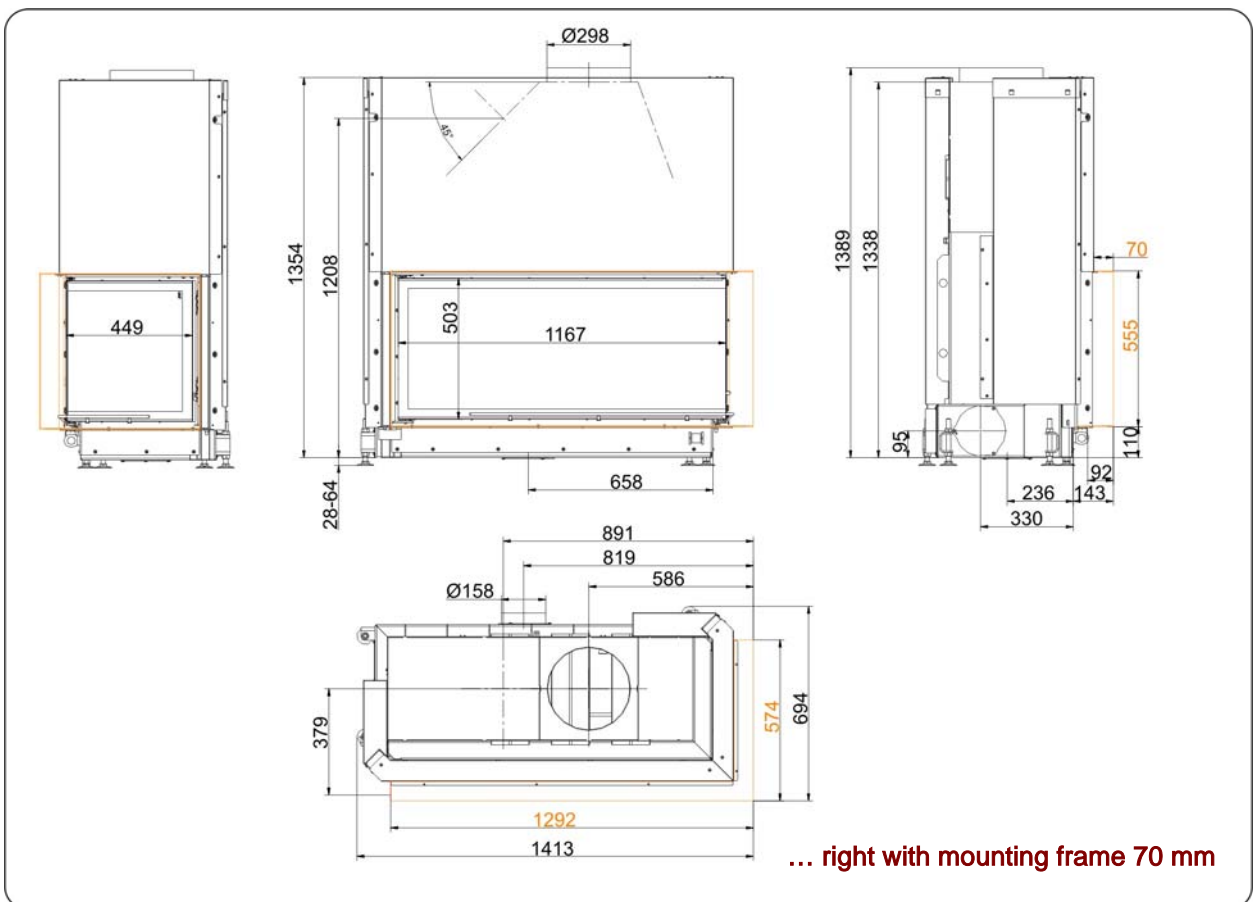
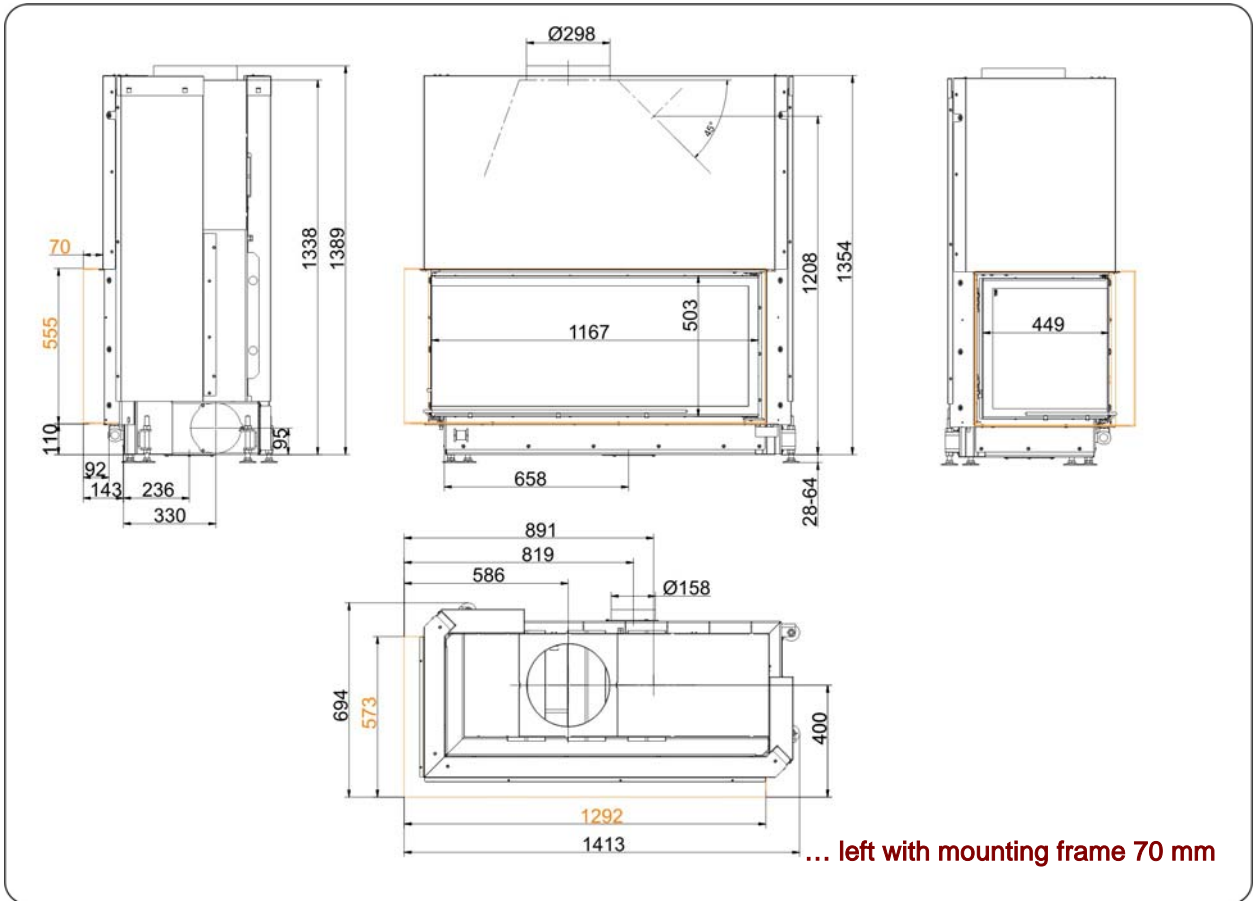
Dimension sheet | **Architektur-Eck 53/121/50** lifting doors



We suggest for CAD planing Palette CAD. Permanent updated drawings: www.brunner.de

Frames / front versions are marked colored. Smoke pipe adapter fixed on the side is available against surcharge.

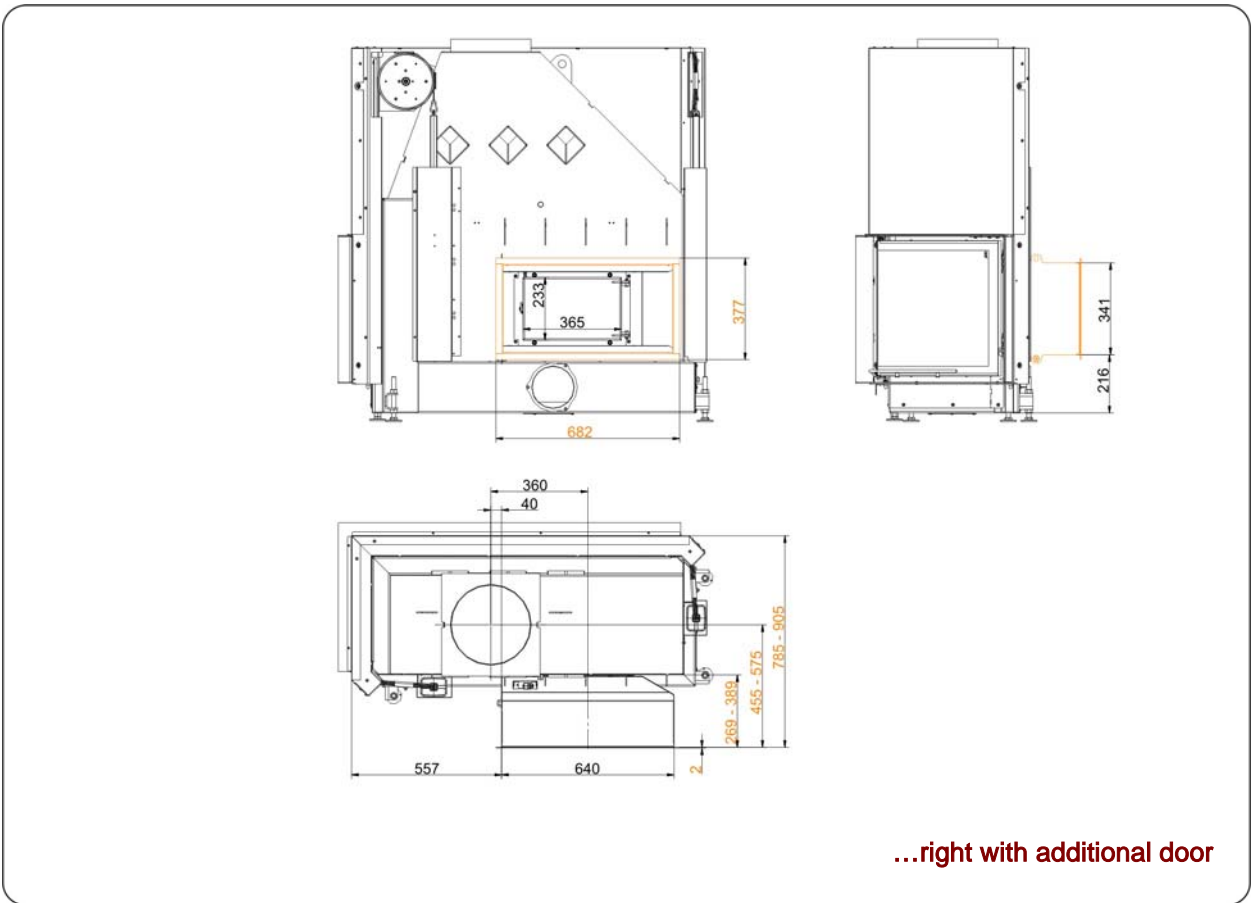
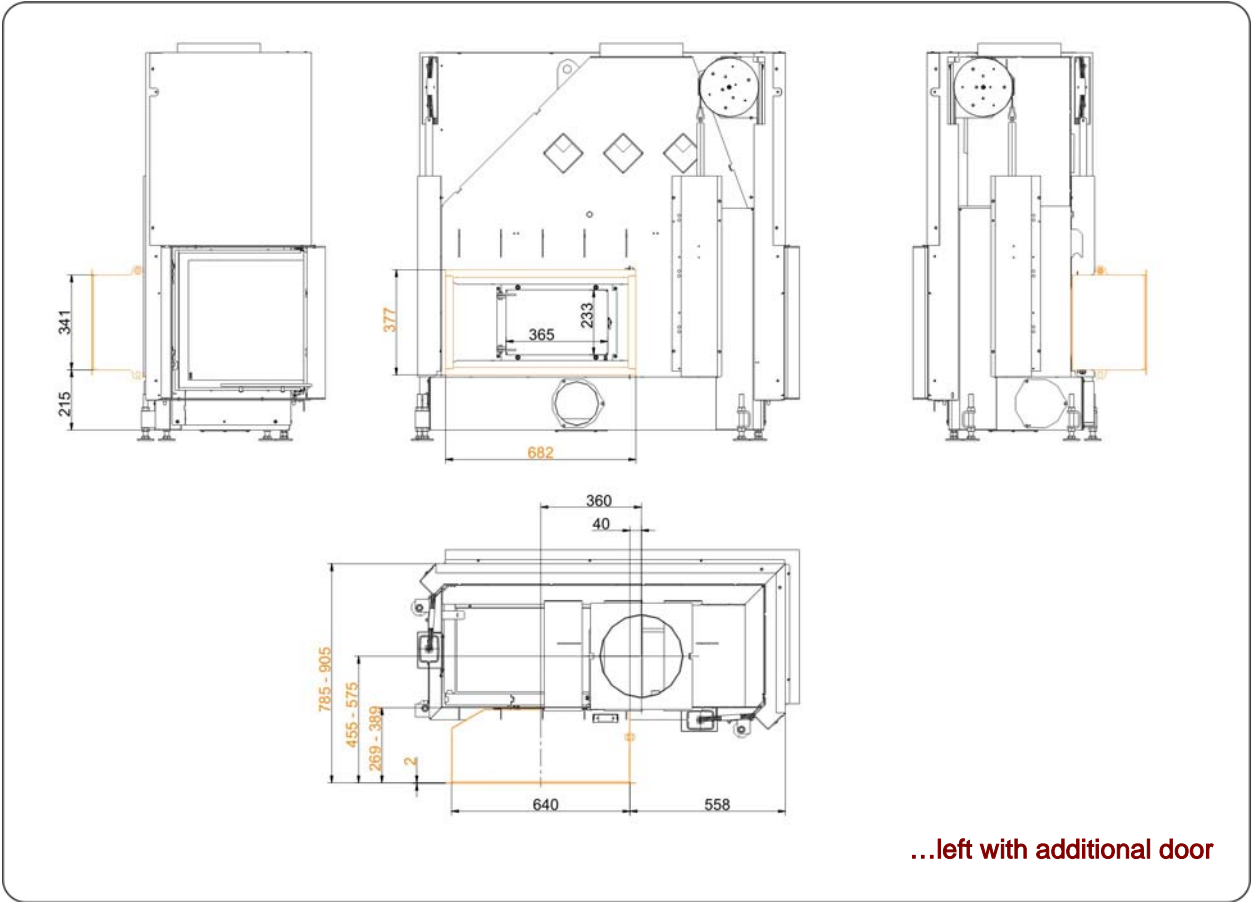
Dimension sheet | **Architektur-Eck 53/121/50 lifting doors**



We suggest for CAD planing Palette CAD. Permanent updated drawings: www.brunner.de

Frames / front versions are marked colored. Smoke pipe adapter fixed on the side is available against surcharge.

Dimension sheet | **Architektur-Eck 53/121/50** lifting doors



We suggest for CAD planing Palette CAD. Permanent updated drawings: www.brunner.de

Frames / front versions are marked colored. Smoke pipe adapter fixed on the side is available against surcharge.

Planning and installation

Architektur-Eck 53/121/50

Tested according to	EN 13229 W	EN 13229 W
Values measured at	nominal load	open door
Suitable for all construction types according to rules	OK	OK
Data for functional demonstration		
Rated heat power	kW 14,5	-
Firewood consumption	kg/h 4,3	4,3
Combustion performance	kW 18	18
Flue gas mass flow	g/s 18	120
Outlet temperature (before heating surface)	°C -	-
Flue gas temperature after		
attached steel smoke hood	°C 190	105
adjoining cast iron radiator (GNF10)	°C -	-
accumulation rings (MAS) ¹⁾	°C -	-
adjoining ceramic accumulator ²⁾	°C -	-
ceramic modular accumulator (KMS system)	°C -	-
water boiler	°C -	-
Necessary supply pressure	Pa 12	6
Combustion air consumption	m ³ /h 60	250
Combustion air connection Ø	mm 160	-
Heat distribution		
Insert / heating surface	% 55 / -	- / -
Glass (single / double)	% 45 / -	- / -
Boiler	% -	-
Cross-section of gratings for max. warm air power		
Supply air	cm ² 1200	0
Warm air	cm ² 1200	0
Minimal oven surface for closed construction type		
Surface giving off heat	m ² 6,4	-
Space inside oven chamber		
Distance to oven chamber wall	cm 8	8
Distance to floor	cm -	-
Heat insulation without / with ³⁾ air gratings		
Wall	cm 16 / 12	16 / 12
Floor	cm 4 / 4	4 / 4
Ceiling	cm 22 / 16	22 / 16
Insulation of additional fire door DHT	cm -	-
Brick lining of protected walls	cm 10	10
Weight		
Fireplace + burning chamber	kg	273 + 100
meets requirement limit values for		
Germany / Austria / Switzerland / Norway	1.BImSchV (Stufe 1) / 15a BVG / LRV / NS 3059	

1) Throttle flap recommended

2) Approximate value, must be calculated eventually

3) Values with air gratings, stove casing is heat conducting

Ulrich Brunner GmbH
Zellhuber Ring 17 -18
D-84307 Eggenfelden
Phone: +49 / (0)87 21 / 7 71-0
Fax: +49 / (0)87 21 / 7 71-100
info@brunner.de | www.brunner.de

The logo for Brunner, featuring the word "BRUNNER" in a bold, sans-serif font. The letters are filled with a horizontal line pattern, giving it a textured appearance. A registered trademark symbol (®) is located at the top right of the logo.

BRUNNER products are offered and sold only by qualified dealers and service centres.
Subject to technical and assortment changes. Errors excepted. (08/12)