

KFD

KFD Sp. z o.o. – established 1996



ECO iLINE

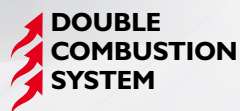
m o d e r n e l e m e n t s

NEW



ECO iLINE 160 CH

combustion chamber lined with chamotte



SUPERPANORAMA



 heating power range 8-25 kW

 heated surface 100-260 m²

 heated capacity 360-650 m³

 efficiency 78 %

 front height 577 mm

 front width 1503 mm

 high quality materials

 modern double combustion system

 damper (option)

 direct air inlet

 installation legs

 for low-energy and passive houses

EN 13229



DIN+

BlmSchV Stufe 2



5 years
guarantee



Fireplace equipped with insert KFD ECO iLINE I60

- Two-jacket fireplace inserts for continuous burning, made of high quality materials
- Equipped with a modern double combustion system, which guarantees higher heating efficiency
- Wide range of heating power enables to be used in houses of different volume
- Meet EN 13229, DIN+ and BImSchV Stufe 2 requirements
- Can be installed in low-energy and passive houses
- Comfort of use thanks to innovative sliding door system
- Universal design, suitable for modern as well as traditional interiors
- Maximal view on fire thanks to larger window area in proportion to front dimensions

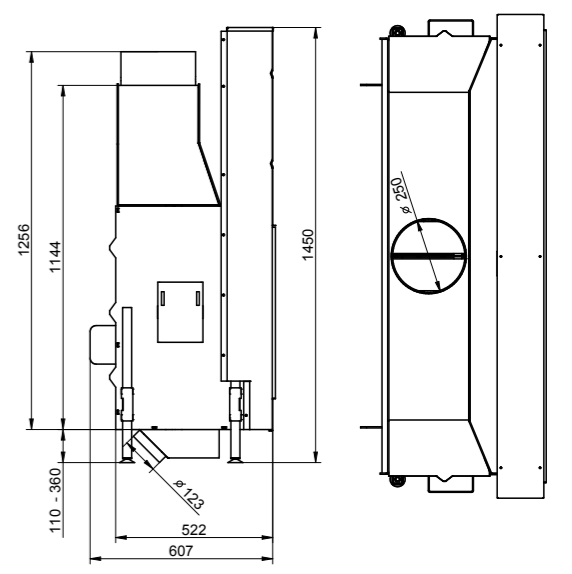
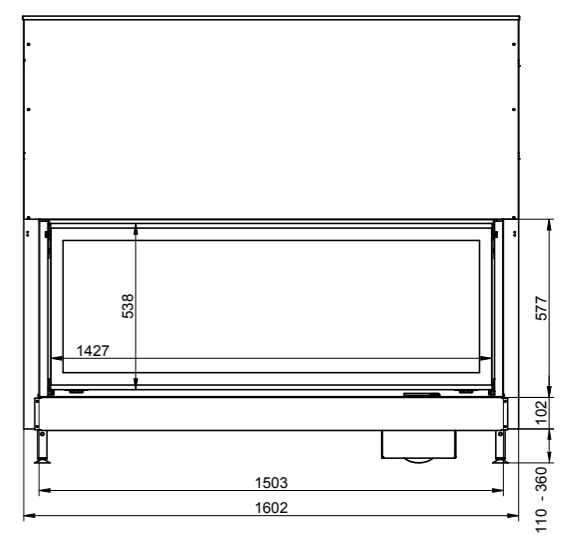


ECO iLINE I60 CI
combustion chamber lined with cast iron and chamotte strip in dark color



ECO iLINE I60 CI
combustion chamber lined with cast iron and chamotte strip in light color

KFD ECO iLINE I60	
technical data	
rated power [kW]*	17
heating power range [kW]*	8-25
efficiency [%]*	78
CO emission at 13% O ₂ [%]*	0,086
heated surface [m ²]	100-260
heated capacity [m ³]	360-650
maximum log length [cm]	130
maximum load of wood [kg]	10
minimum effective chimney height [m]	6
minimum negative pressure in chimney duct [Pa]	12
dimensions and weight **	
total dimensions, height x width x depth [mm]	1450x1602 x607
front dimensions, width x height [mm]	1503 x 577
front glass dimensions, width x height [mm]	1427 x 538
external diameter of smoke outlet [mm]	250
internal diameter of smoke outlet [mm]	240
air inlet diameter [mm]	123
weight [kg]	400



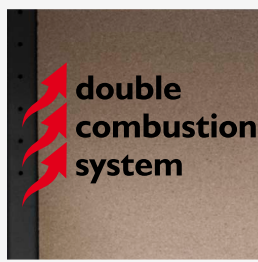
*Parameters according to the EN 13229 norm
 **In connection with established tolerances in the production stage, there may be minor differences between the finished product and the drawings with dimensions. In cases where the exact dimensions of the product are essential for planning the mounting location, please obtain the real dimensions of the fireplace insert.

KFD ECO iLINE 160 – FEATURES AND INNOVATIVE SOLUTIONS



SAFETY AND RELIABILITY

Double-jacket construction is composed of a steel insert body and internal chamotte or cast iron elements. All parts inside the furnace that undergo wearing are easily accessible and their exchange is very simple. Such construction guarantees reliability and operation safety, even at continuous burning.



HEAT AND ECOLOGY

ECO iLINE 160 inserts are equipped with a modern double combustion system. Thanks to this, heating parameters inserts are better and combustion is more ecological.



DAMPER (option)

Damper (optional) allows for precise adjustment of the chimney draught.



MAXIMAL VIEW OF THE FIRE

Attractive and almost not distinct door frame makes that one can see the most important thing – the fire. The sliding door offers the possibility to use it as traditional, open fireplace.



SLIDING DOOR

Innovative sliding mechanism makes the opening and closing of the door very convenient – adding wood and removing of ashes is very easy.



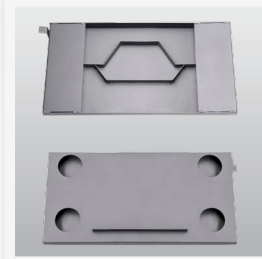
COLD HANDLE

For the operation of the fireplace insert it is equipped with a cold handle. This solution guarantees safety, even during intensive burning.



DIRECT AIR INLET TO THE FURNACE

ECO iLINE 160 inserts are equipped with a direct air supply from outside to the furnace.



HIGHER HEATING EFFICIENCY

The special deflector construction forces a longer circulation of combustion gas in the insert. Thanks to this, the insert efficiency is higher.



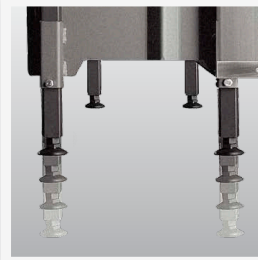
AIR TIGHTNESS

Glass fiber gasket around the door substantially improves tightness of the fireplace insert.



PRECISE CONTROL

Smooth regulation of air inlet enables the control over intensity and speed of combustion.



REGULATION OF FEET HEIGHT

Simple regulation of feet enables precise leveling of the insert during the assembly.



EASY CLEANING

Easy access to the inner surface of the glass pane becomes important when we want to clean it. The pane smoothly unhinges and can be lifted up so you do not have to lean down to clean it. Fireplaces inserts is equipped with ash pan for easy ash removal.

KFD Sp. z o.o. reserves the right to introduce without notification any changes of technical parameters, equipment and specifications of offered devices. Information given in this promotional material are pictorial. This publication does not constitute an offer within the meaning of the Art. 66 of the Civil Code. Individual settlement of features, warranty conditions and product specification takes place within the sales contract and the warranty card. KFD Sp. z o.o. is not responsible for print errors. © Copyright KFD Sp. z o.o. 2016. All rights reserved. Leaflet printed in Poland. Ver. KFDECOILINE160ENG29012016.



KFD Sp. z o.o. – established 1996

KFD Sp. z o.o.
ul. Olszankowa 51, PL 05-120 Legionowo, Poland
e-mail export@kfd.eu, www.kfdesign.eu
phone +48 507 005 711, fax +48 227 741 711



EN 13229
BlmSchV Stufe 2



KFD SELLER **KFD**