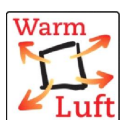




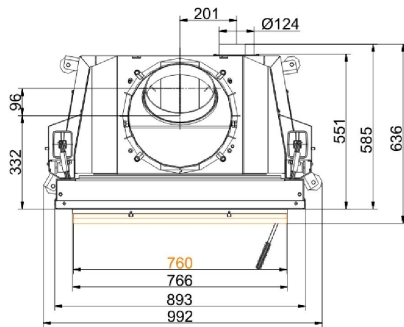
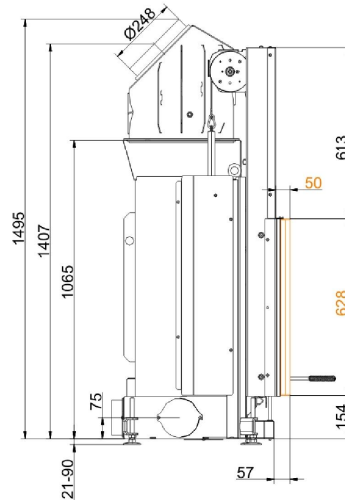
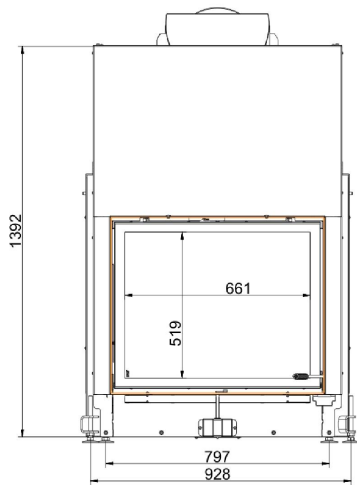
Stil-Kamin 62/76 lifting doors (easy-lift)

State: 21.10.2016

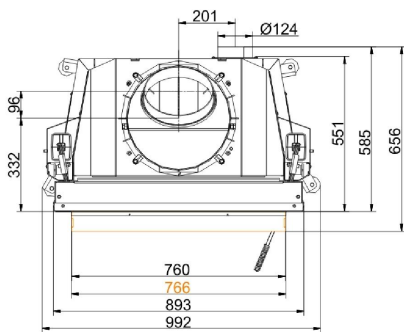
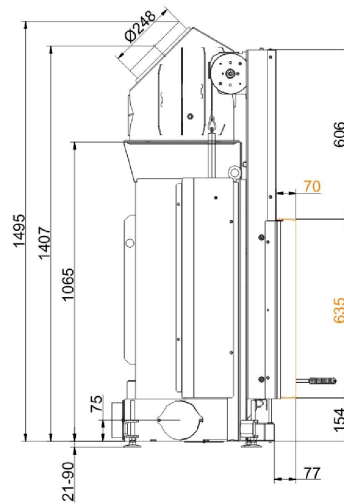
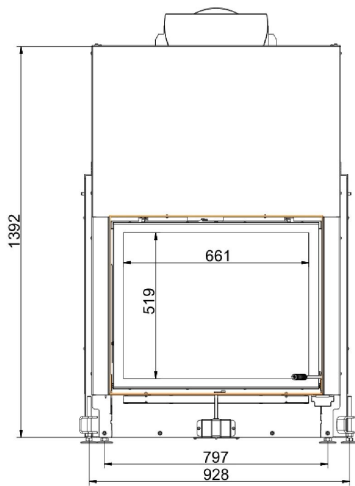


BRUNNER[®]
made in germany

Dimension sheet | **Stil-Kamin 62/76 lifting doors (easy-lift)**

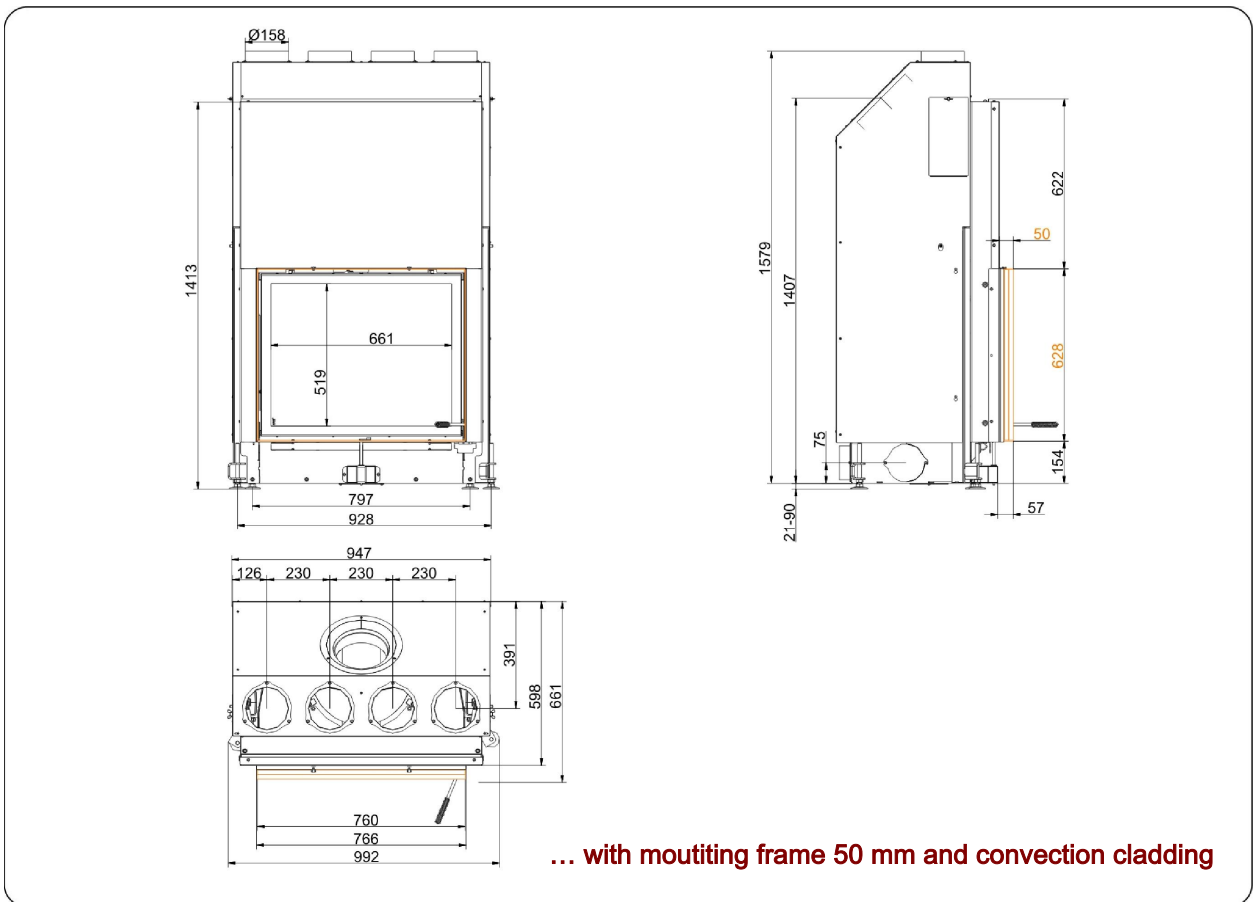
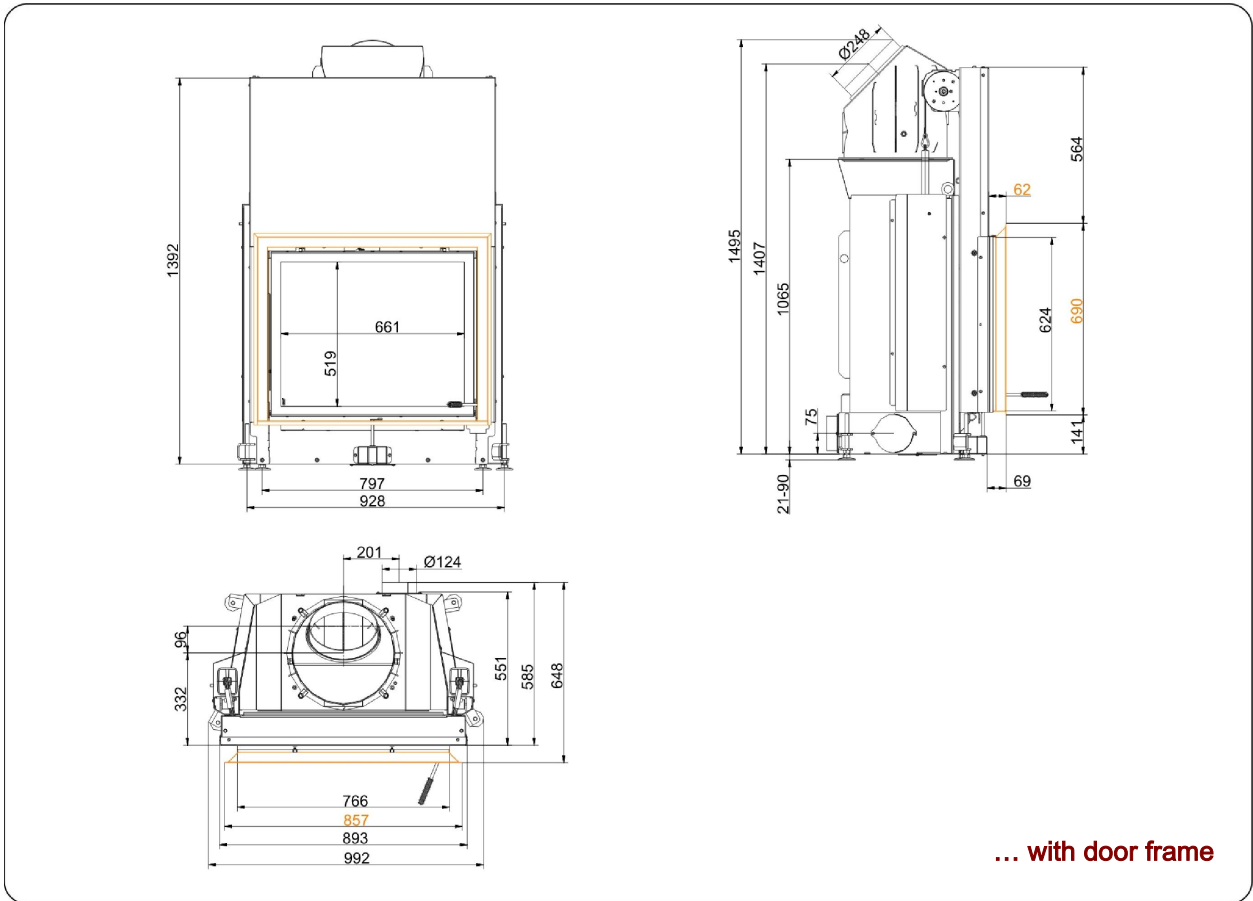


... with mounting frame 50 mm



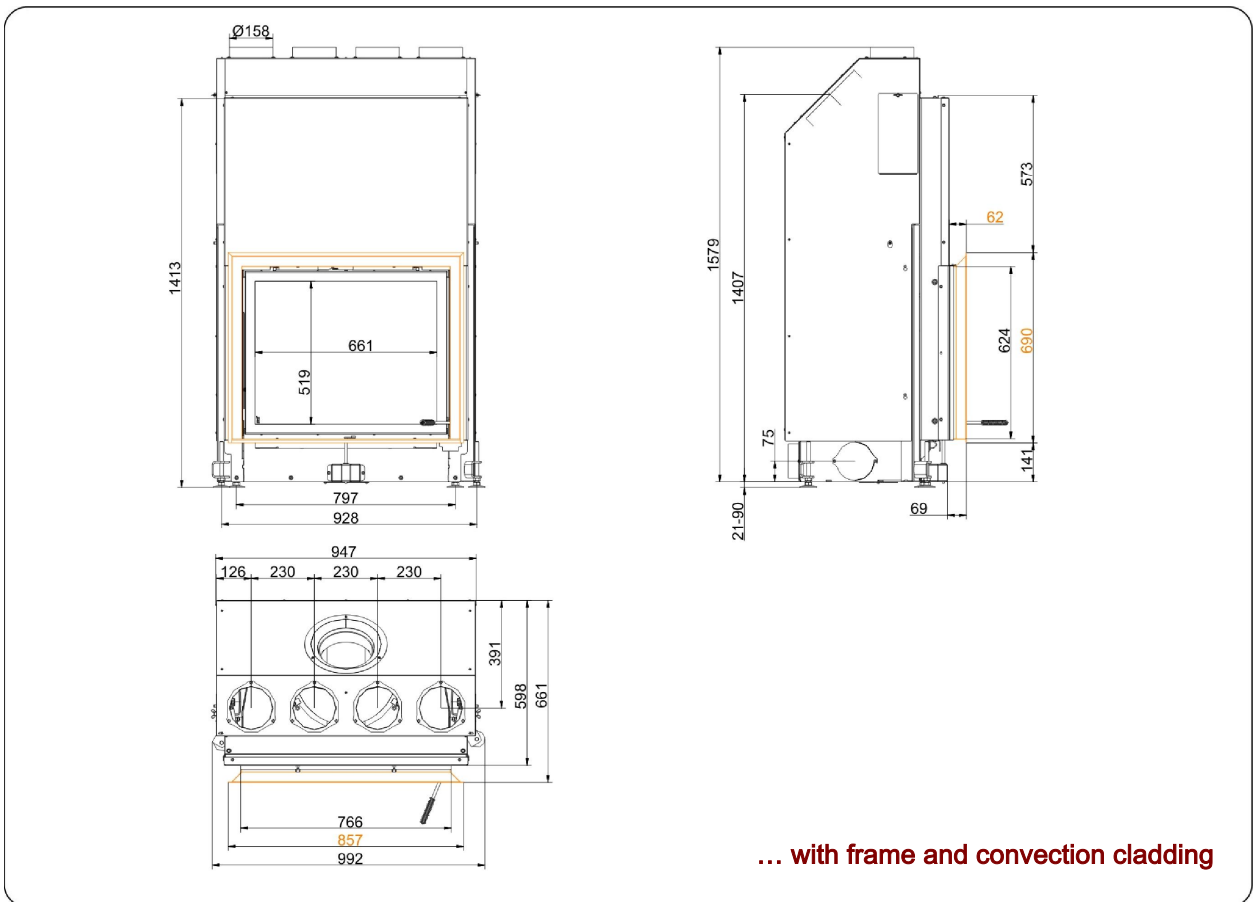
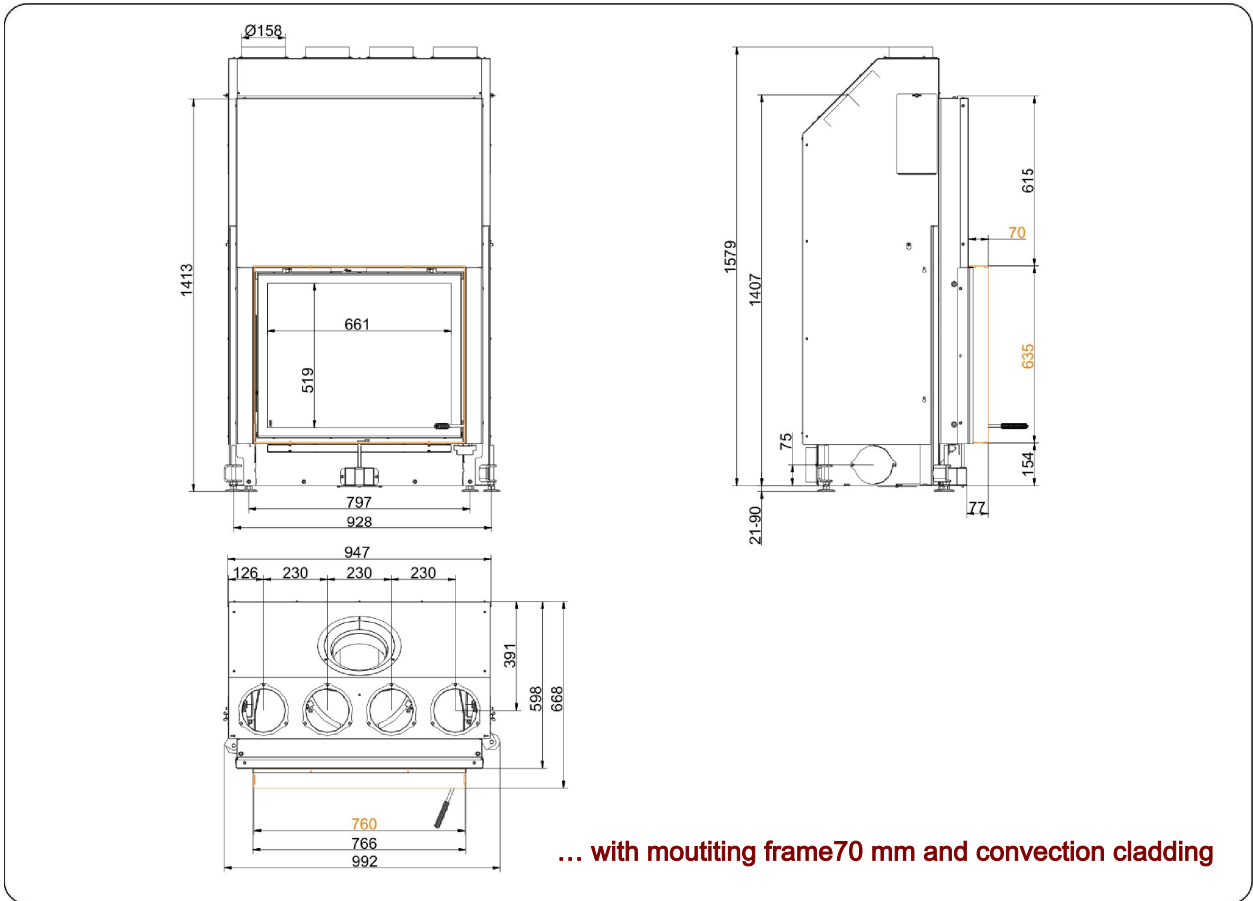
... with mounting frame 70 mm

Dimension sheet | **Stil-Kamin 62/76 lifting doors (easy-lift)**



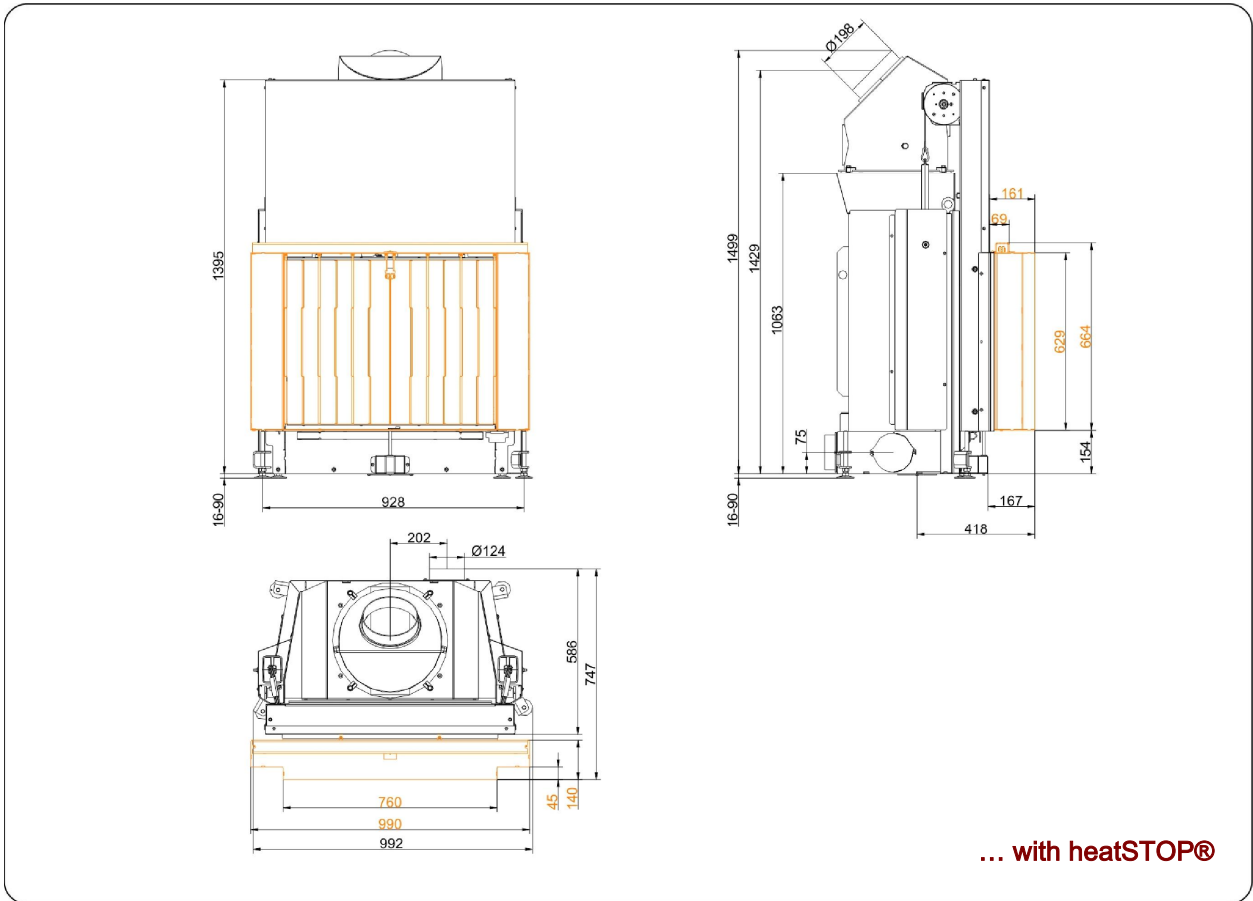
We suggest for CAD planing Palette CAD. Permanent updated drawings: www.brunner.de
 Frames / front versions are marked colored.

Dimension sheet | **Stil-Kamin 62/76 lifting doors (easy-lift)**



We suggest for CAD planing Palette CAD. Permanent updated drawings: www.brunner.de
 Frames / front versions are marked colored.

Dimension sheet | **Stil-Kamin 62/76 lifting doors (easy-lift)**



We suggest for CAD planing Palette CAD. Permanent updated drawings: www.brunner.de
Frames / front versions are marked colored.

Planning and installation

Stil-Kamin 62/76

Tested according to	EN 13229 W	EN 13229 W
Values measured at	rated heat power	open door
Suitable for all construction types according to rules	OK	OK

Data for functional demonstration

Rated heat power	kW	10,5	-
Firewood consumption	kg/h	3,2	3,0
Combustion performance	kW	13	13
Flue gas mass flow	g/s	10	70
Outlet temperature (before heating surface)	°C	325	-
Flue gas temperature after			
attached steel smoke hood	°C	200	120
adjoining cast iron radiator (GNF10)	°C	-	-
6 x accumulation rings (MAS) ¹⁾	°C	205	-
adjoining ceramic accumulator ²⁾	°C	-	-
accumulation stones (MSS) ²⁾	°C	-	-
water boiler	°C	-	-
Necessary supply pressure	Pa	12	6
Combustion air consumption	m ³ /h	35	180
Combustion air connection Ø	mm	125	-

Heat distribution

Insert / heating surface	%	60 / -	- / -
Glass (single / double)	%	40 / -	- / -
Boiler	%	-	-

Cross-section of gratings

Supply air	cm ²	900 / 100 / 0	-
Warm air	cm ²	900 / 100 / 0	-

Minimal oven surface for closed construction type

Surface giving off heat	m ²	4,5	-
-------------------------	----------------	-----	---

Min. distances of fireplace without / with cladding

to insulation layer	cm	8 / 3	8 / 3
to floor	cm	2 / 2	2 / 2

Thermal insulation without / with ³⁾ air gratings

Adjacent wall	cm	18 / 14	18 / 14
Adjacent wall; fireplace with cladding ⁴⁾	cm	-	-
Floor	cm	4 / 2	4 / 2
Ceiling	cm	22 / 16	22 / 16
Insulation of additional fire door DHT	cm	-	-
Brick lining of protected walls	cm	10	10

Weight

Fireplace + burning chamber	kg	205 + 97
-----------------------------	----	----------

meets requirement limit values for

Germany / Austria / Switzerland / Norway	1.BImSchV (Stufe 2) / 15a BVG (2015) / LRV / NS 3059
--	--

1) Throttle flap recommended

2) Approximate value, must be calculated eventually

3) Values with air gratings, stove casing is heat conducting

4) Execution thermal insulation according to installation manual

Ulrich Brunner GmbH
 Zellhuber Ring 17 -18
 D-84307 Eggenfelden
 Telefon: +49 / (0)87 21 / 7 71-0
 Telefax: +49 / (0)87 21 / 7 71-100
 info@brunner.de | www.brunner.eu

BRUNNER[®]