

| OPERATION WHEN DIRECTLY CONNECTED TO CHIMNEY | Cupola | Hot air exchanger |
|--|-----------------------|-----------------------|
| Tested according to | EN 13229 | EN 13229 |
| Nominal heat power | 9 kW | 12 kW |
| Efficiency | > 80 % | > 80 % |
| Consumption of wood | 2,6 kg/h | 3,5 kg/h |
| Mass flow of flue gas | 8 g/s | 10 g/s |
| Average flue gas temperature on the output | 230 °C | 277 °C |
| Heat distribution | | |
| fireplace insert | 65–82 % | 65–82 % |
| door glass (single / double) | 35 / 18 % | 35 / 18 % |
| Required chimney pressure | 12 Pa | 12 Pa |
| Required amount of combustion air | 20 m ³ /h | 30 m ³ /h |
| Minimum supply air grating cross-section | 900 cm ² | 1 200 cm ² |
| Minimum outgoing air grating cross-section | 1 050 cm ² | 1 400 cm ² |

| OPERATION WITH CONNECTED ACCUMULATION MASS | Cupola | Adaptor |
|--|----------------------|----------------------|
| Load of wood | 5,5 kg | 5,5 kg |
| Total heat output of the burning chamber | 22 kW | 22 kW |
| Mass flow of flue gas | 20 g/s | 20 g/s |
| Average flue gas temperature on the output ¹⁾ | 382 °C | 394 °C |
| past 3,6 m of ceramic accumulation system KMS 300 ²⁾ | 180 °C | – |
| past 5 pcs of accumulation rings KAM + termination ring | – | 235 °C |
| Heat distribution | | |
| fireplace insert | 40 % | 35 % |
| door glass (single / double) | 35 / 18 % | 35 / 18 % |
| adjoining accumulation mass | 25–42 % | 30–47 % |
| Required chimney pressure | 12 Pa | 12 Pa |
| Minimum radiant area ³⁾ | ca. 5 m ² | ca. 5 m ² |
| Required amount of combustion air | 60 m ³ /h | 60 m ³ /h |

| GENERAL TECHNICAL INFORMATION | |
|--|---------------------------|
| Combustion air connection | Ø 125 mm |
| Total weight / lining weight | ca. 290 / 104 kg |
| Use in non-ventilated accumulation builds according to craft rules | suitable |
| Meets values | BImSchV (Stufe2), 15a BVG |

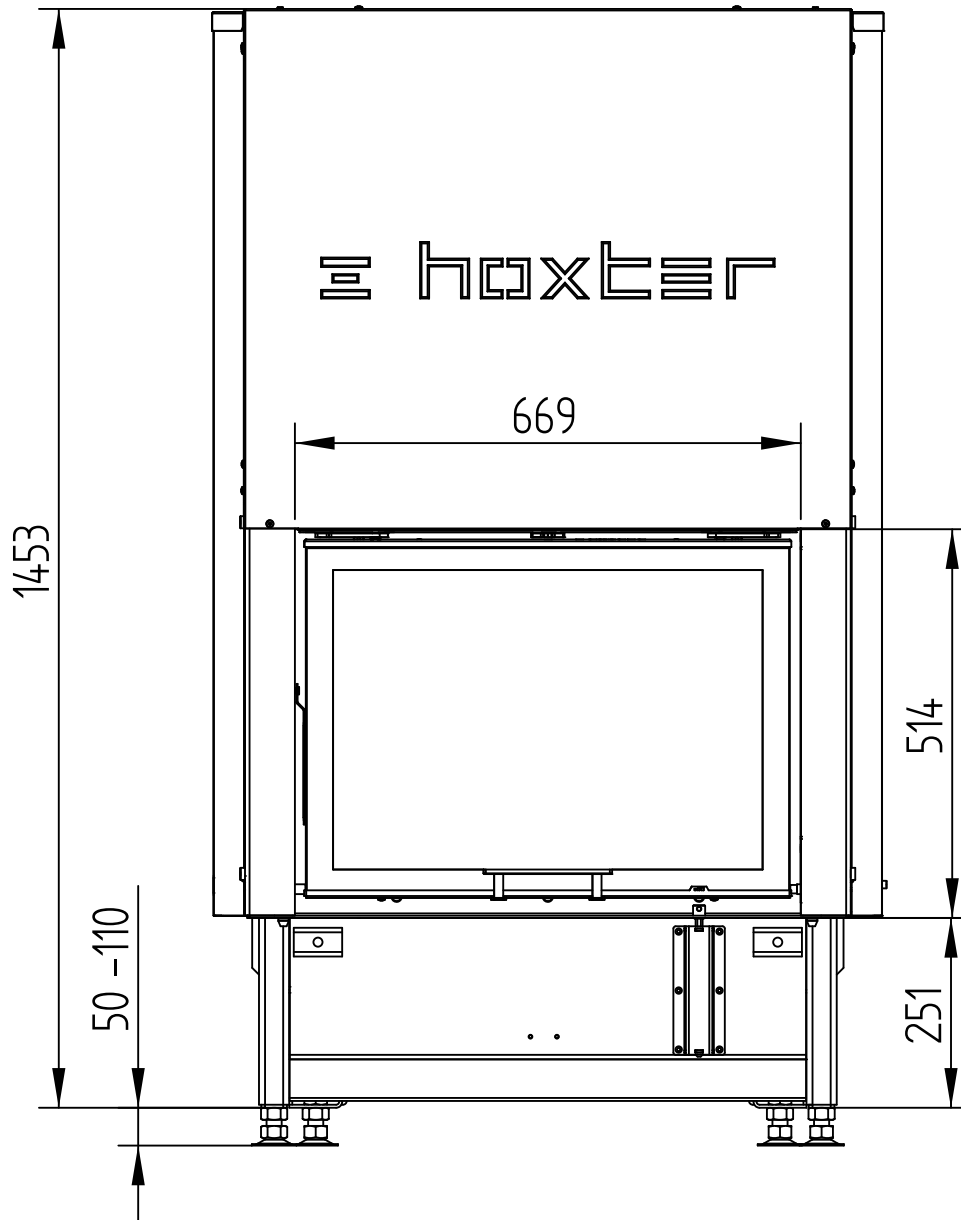
- 1) The Hoxter products are available in the Austrian stove-calculation program for evaluation of firebrick accumulation systems.
- 2) Only a sample calculation! For accurate results is evaluation of each system in the KMS-calculation program from the Ortner company necessary.
- 3) Depends on accumulation period and material characteristics and its thickness. Calculated with heat emission of the radiant area ca. 500 kW/m².hr

HAKA 67/51h

WITH CUPOLA

Technical data
Version 07/2015

M 1 : 10

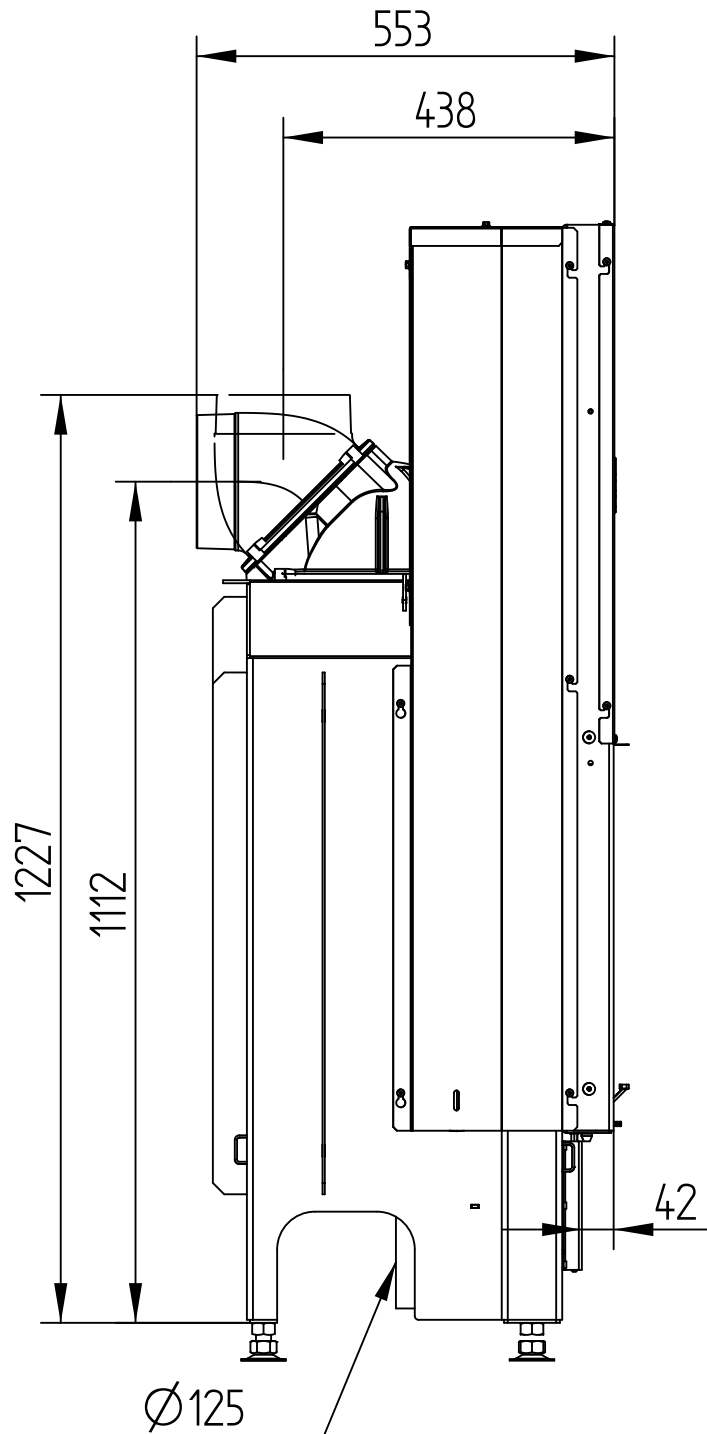


HAKA 67/51h

WITH CUPOLA

Technical data
Version 07/2015

M 1 : 10

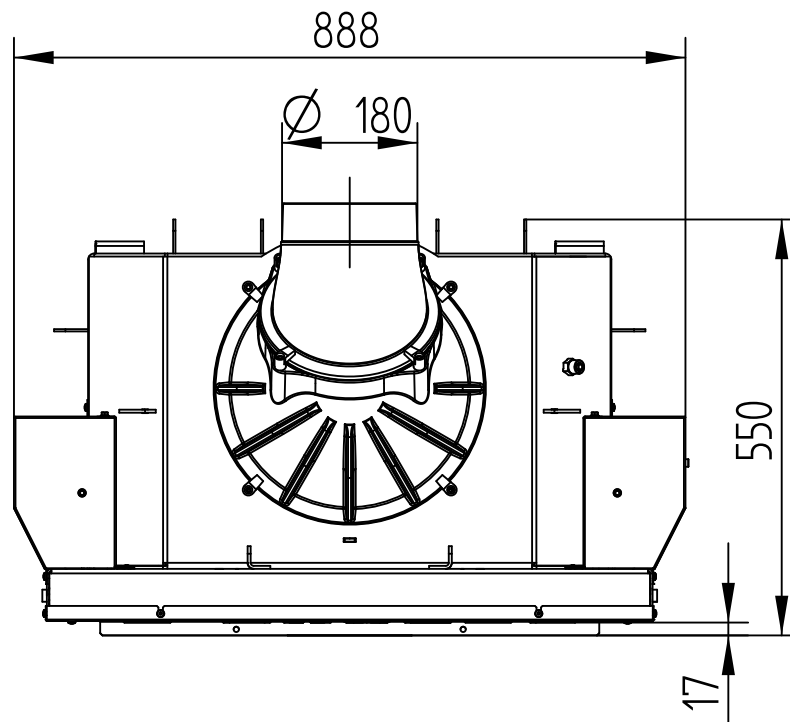


HAKA 67/51h

WITH CUPOLA

Technical data
Version 07/2015

M 1 : 10

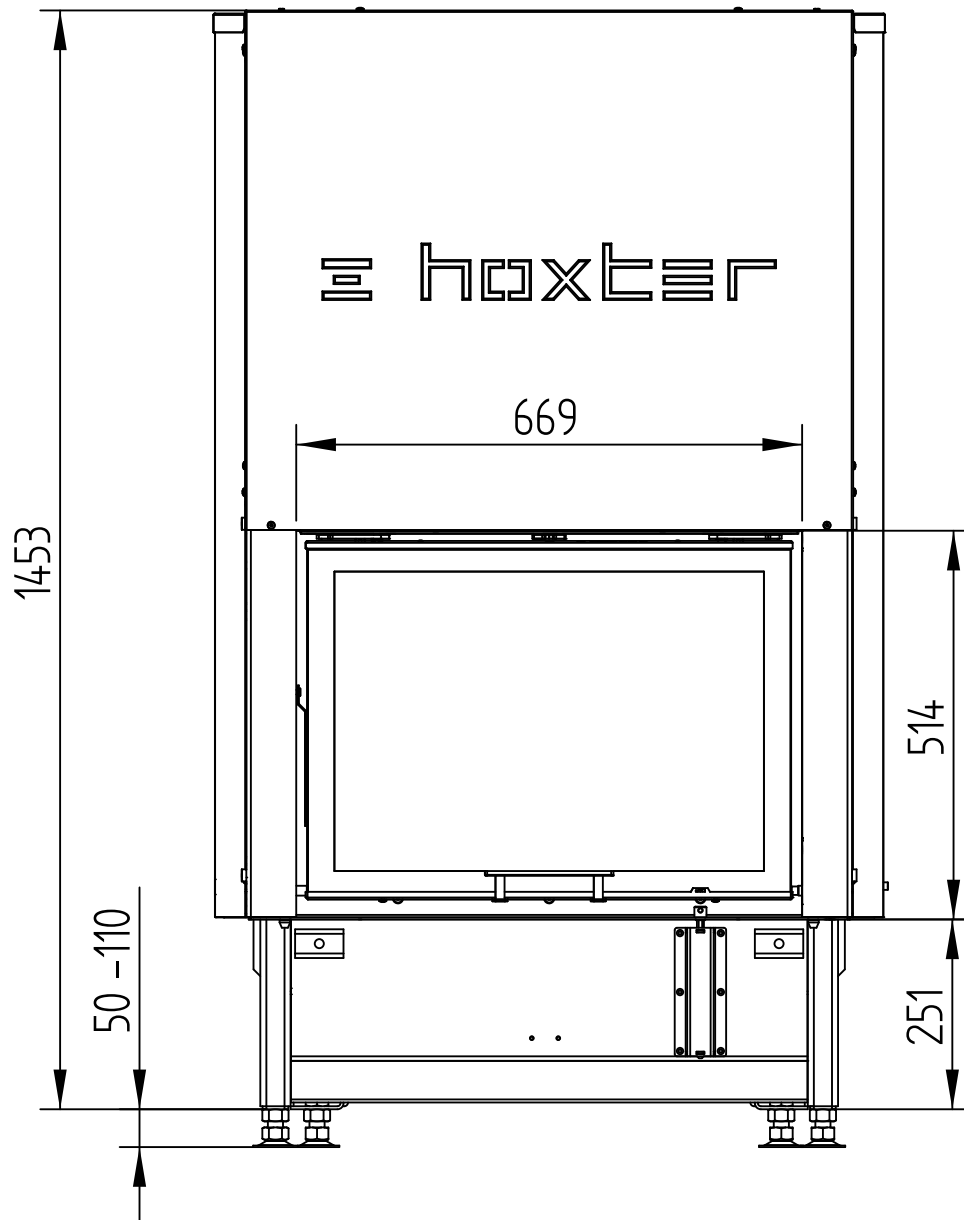


HAKA 67/51h

WITH ADAPTOR

Technical data
Version 07/2015

M 1 : 10

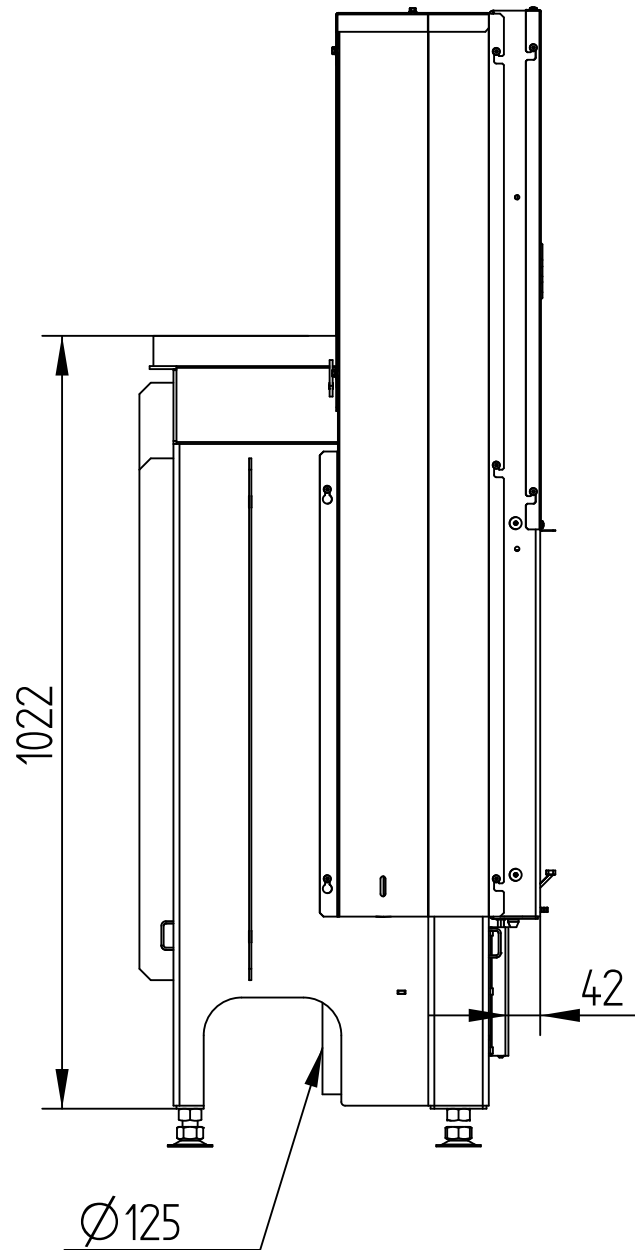


HAKA 67/51h

WITH ADAPTOR

Technical data
Version 07/2015

M 1 : 10

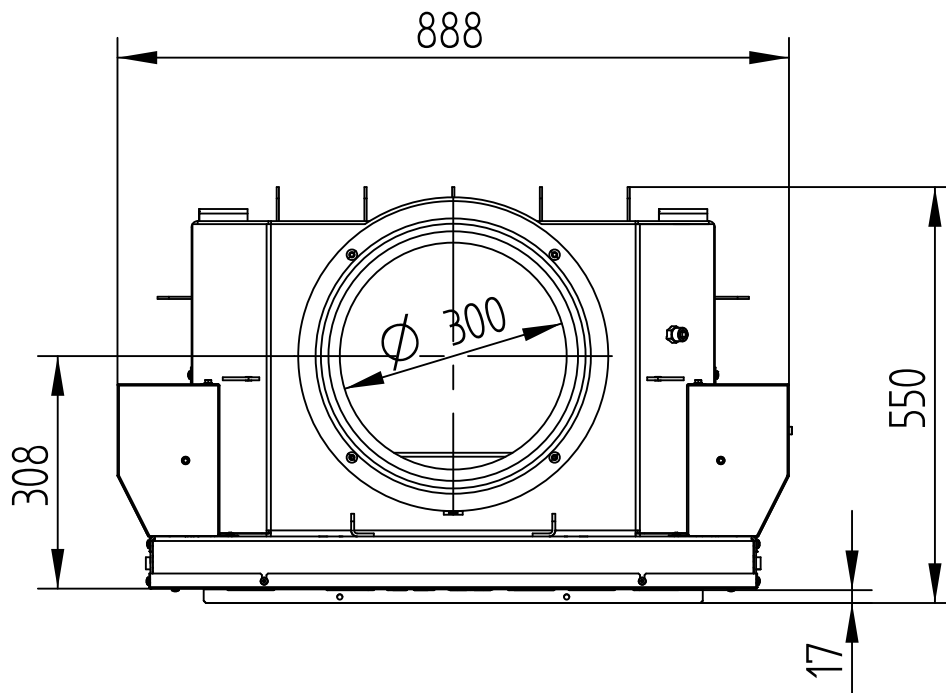


HAKA 67/51h

WITH ADAPTOR

Technical data
Version 07/2015

M 1 : 10

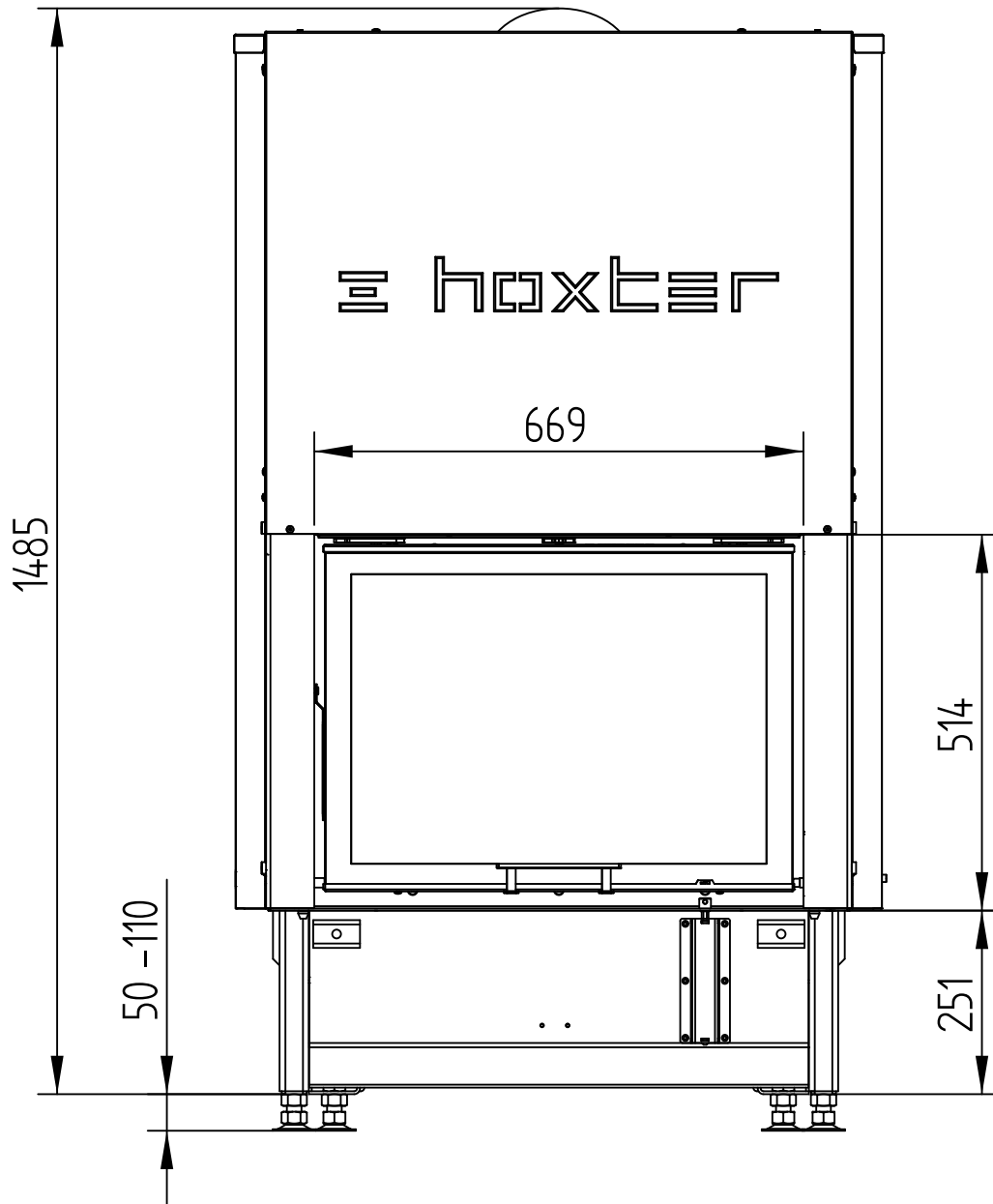


HAKA 67/51h

WITH HOT AIR EXCHANGER

Technical data
Version 07/2015

M 1 : 10

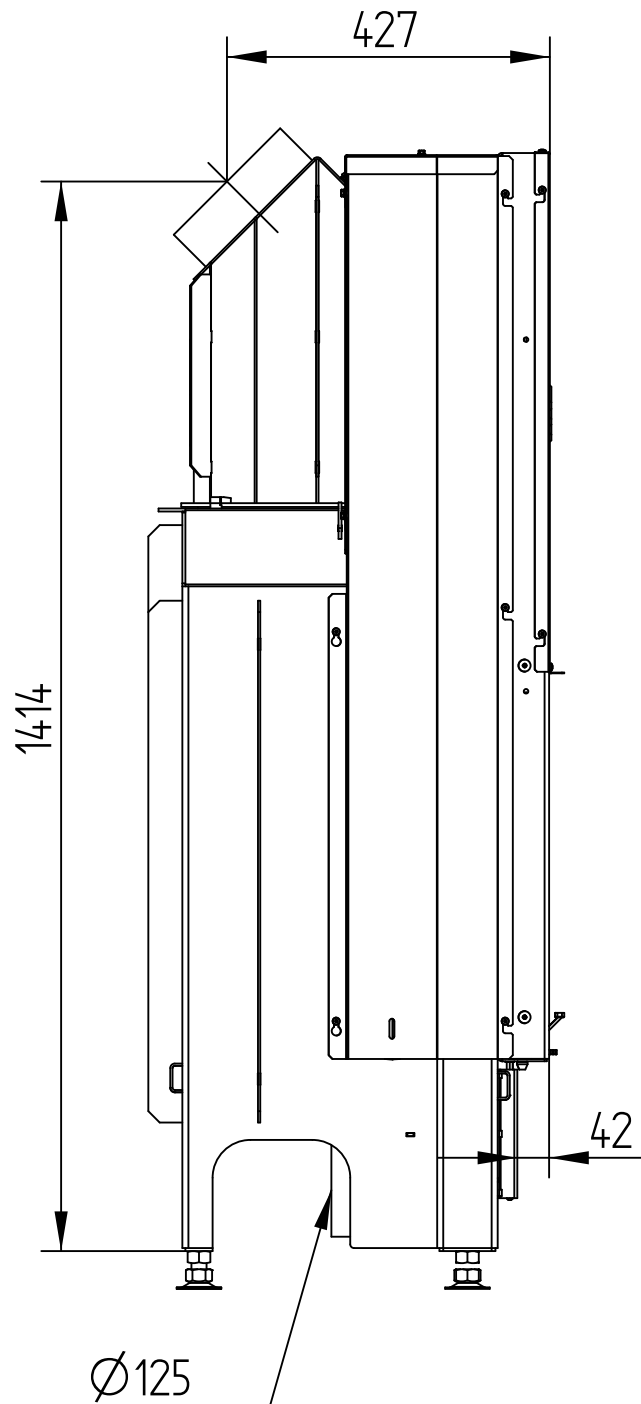


HAKA 67/51h

WITH HOT AIR EXCHANGER

Technical data
Version 07/2015

M 1 : 10

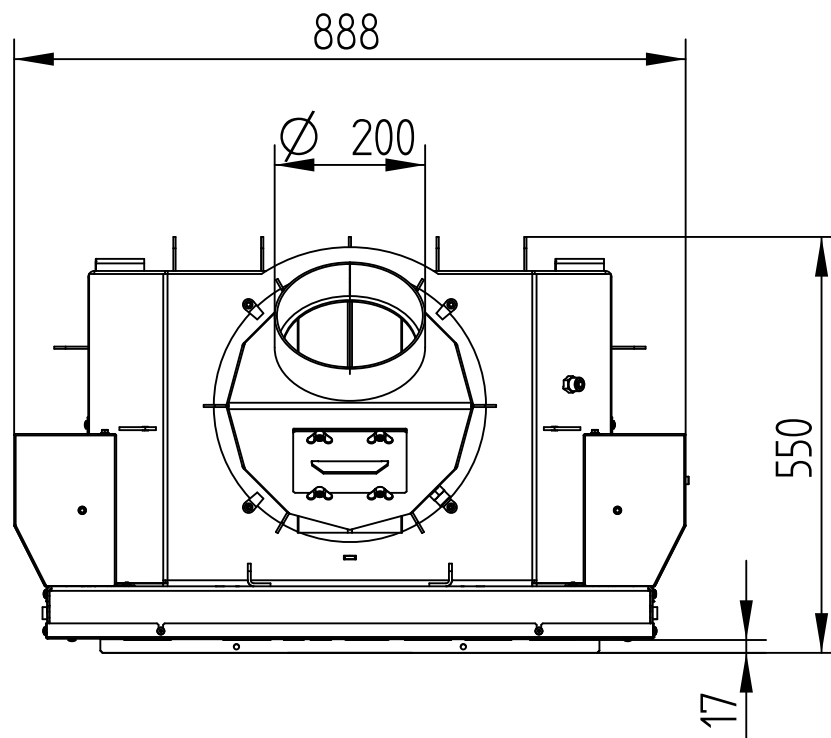


HAKA 67/51h

WITH HOT AIR EXCHANGER

Technical data
Version 07/2015

M 1 : 10

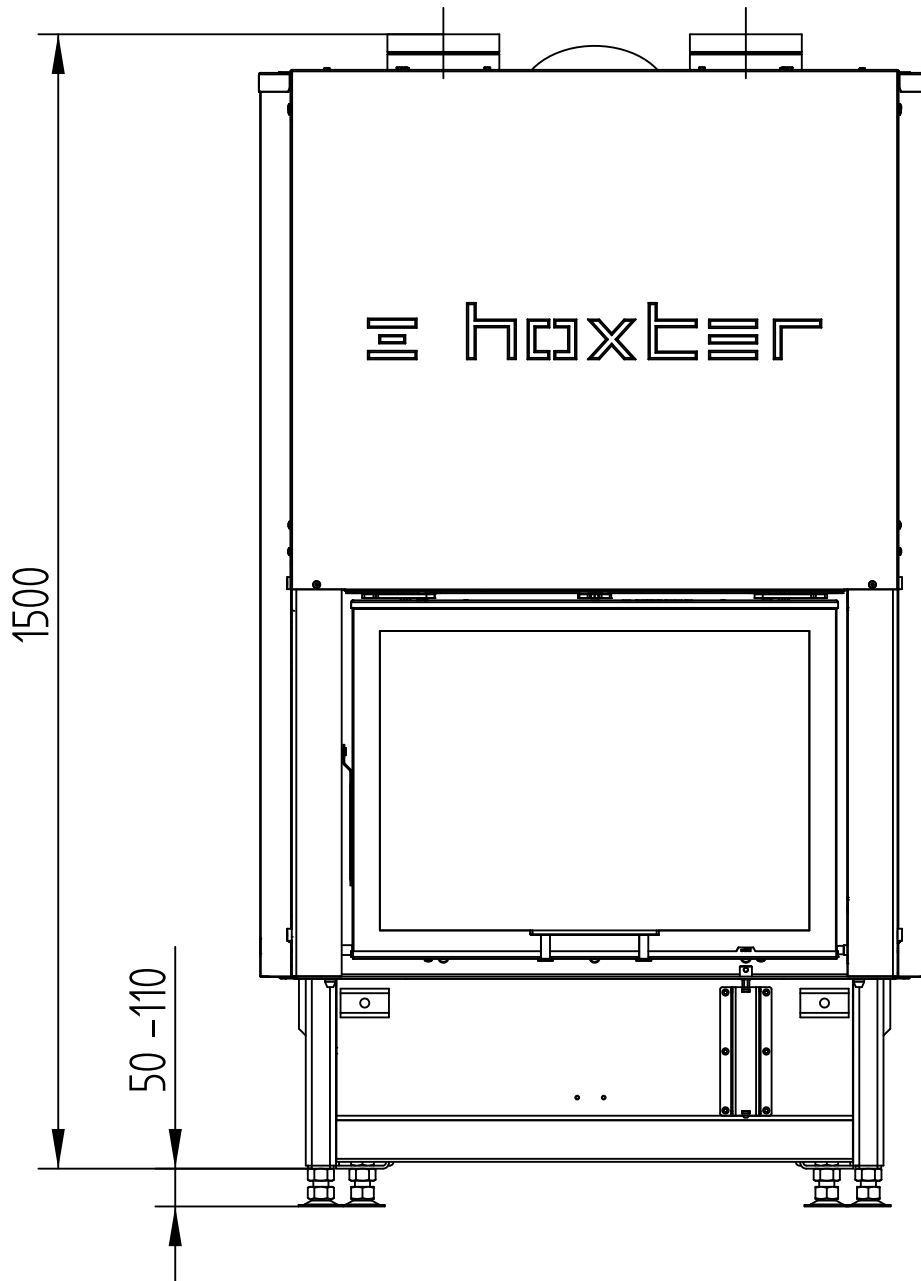


HAKA 67/51h

HOT AIR JACKET

Technical data
Version 07/2015

M 1 : 10

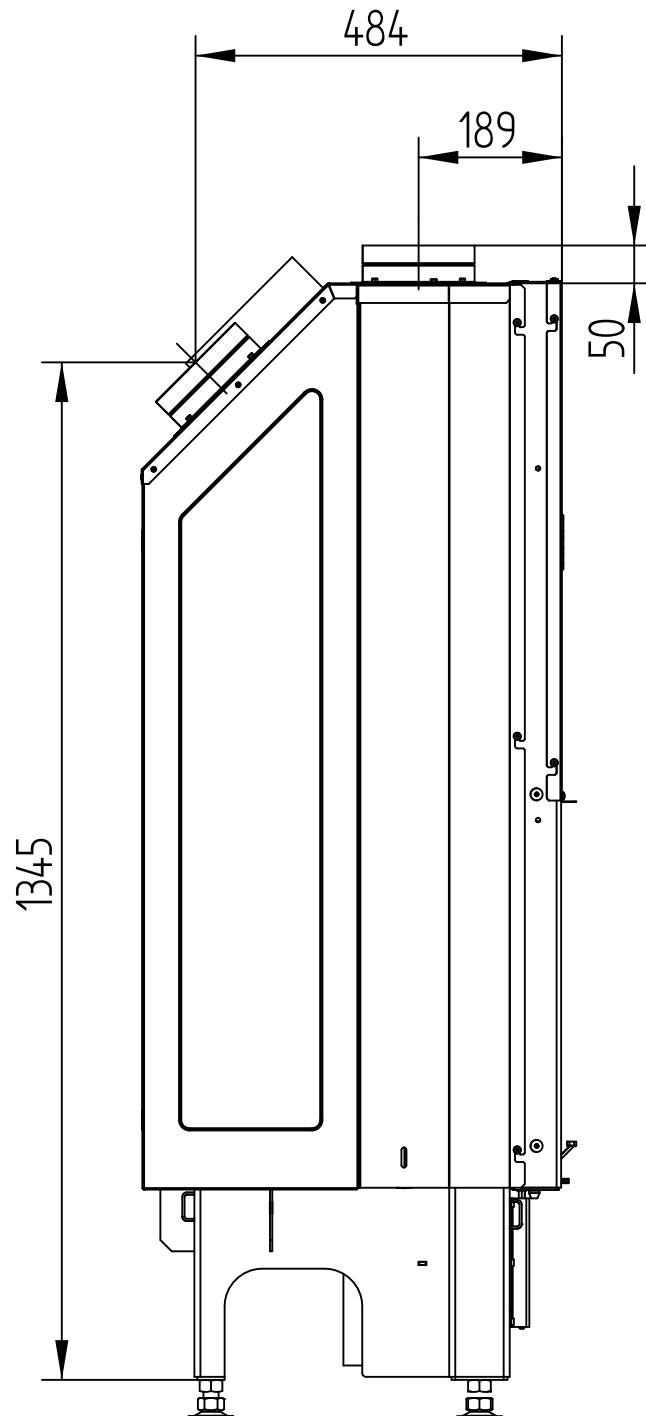


HAKA 67/51h

HOT AIR JACKET

Technical data
Version 07/2015

M 1 : 10

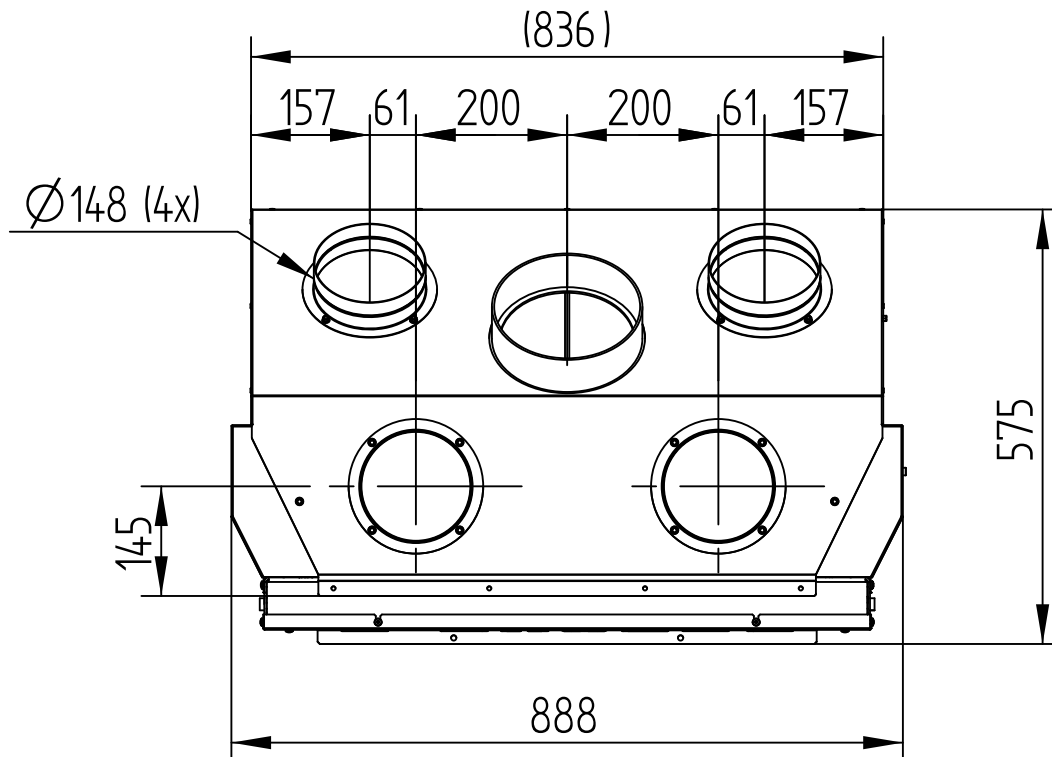


HAKA 67/51h

HOT AIR JACKET

Technical data
Version 07/2015

M 1 : 10

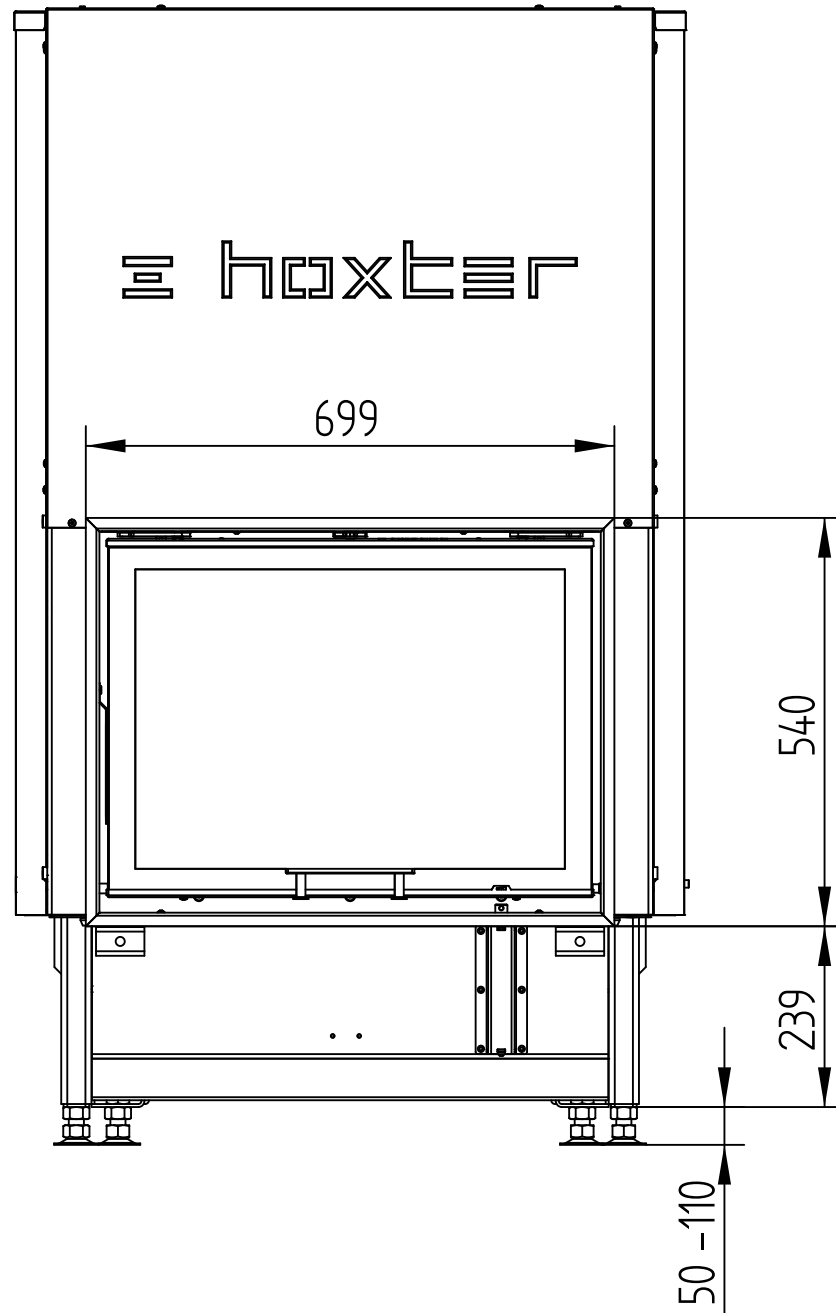


HAKA 67/51h

COVER FRAME 4-SIDED 1 x 90°

Technical data
Version 07/2015

M 1 : 10

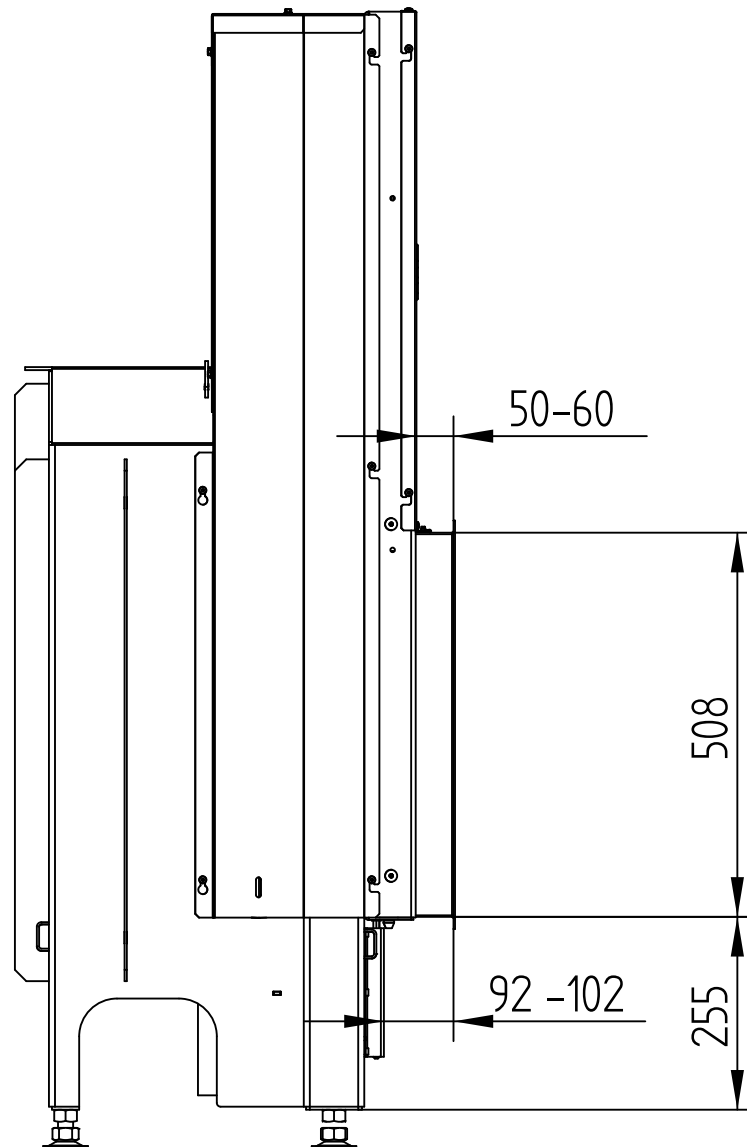


HAKA 67/51h

COVER FRAME 4-SIDED 1 x 90°

Technical data
Version 07/2015

M 1 : 10



HAKA 67/51h

COVER FRAME 4-SIDED 1 x 90°

Technical data
Version 07/2015

M 1 : 10

